

SPECIFICATION



Product	Micro speaker	Issued date	12-Apr-12
Part No.	CE-1508S26F	Page No.	2 of 4

1. Physical dimension.

Diameter	15 mm (Refer to drawing)
Thickness	3.9 mm (Refer to drawing)
Weight	1.4g ± 0.2g

2. Electric characteristics.

Impedance	8 Ω ± 15 % at 1.0V 1KHz.
S.P.L.	89 dB ± 3 dB at 0.8 , 1.0 , 1.2 , 1.5 KHz. Average figures / 4 Pts .
Power	Nor. : 0.5 W (2.0 V)
	Max. : 1.0 W (2.83 V)
Resonant Frequency (Fo)	750 Hz ± 20% at 1.0 V
Effective Frequency band	Fo ~ 20 KHz.
Distortion	Less than 5% at 1 KHz 0.1 W.
Buzz & rattle , etc.	Not be audible at 2.0 V sine wave, Fo ~ 20 KHz.
Load Test	Must be normal with program source 0.5 W. / (2.0V) White noise(EIA) / 96 Hrs.
Magnet	7.7 mm × 1.0 mm (Rare Earth Permanent Magnet)
Leakage Flux	Front Cover Surface Center : MAX 1200 Gauss

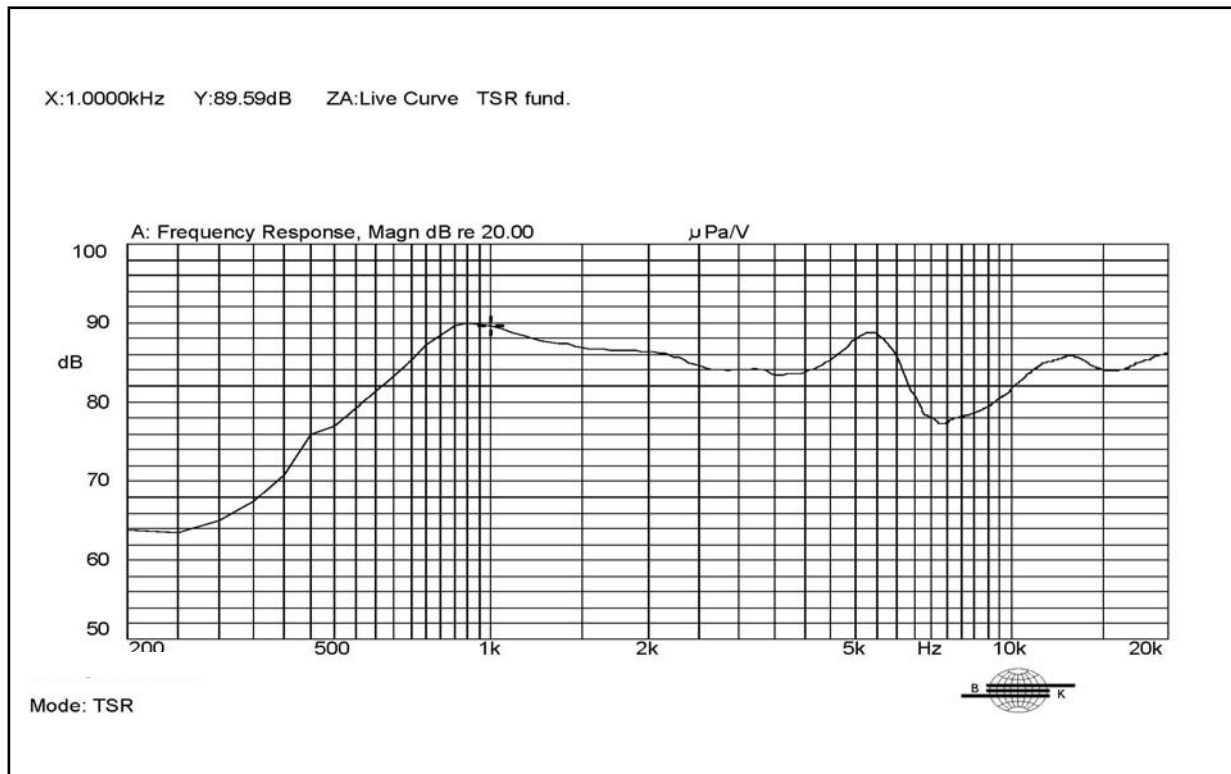
3. Environment Test

High Temperature	+60°C ± 3°C 96 Hrs and keep 6 Hrs in a room.
Low Temperature	-20°C ± 3°C 96 Hrs and keep 6 Hrs in a room.
Humidity Resistance	+40°C ± 3°C 90 % ± 5% 96 Hrs.
Operation Temperature Range	-20°C ± 3°C ~ +60°C ± 3°C
Storage Temperature Range	-20°C ± 3°C ~ +70°C ± 3°C

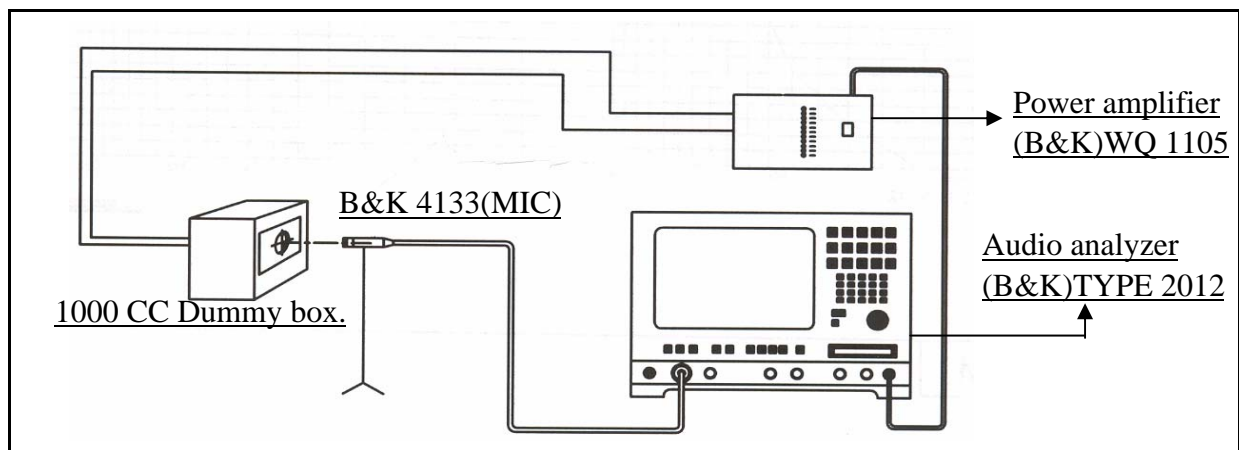
SPECIFICATION

Product	Micro speaker	Issued date	12-Apr-12
Part No.	CE-1508S26F	Page No.	3 of 4

4. Frequency curve.



5. Test diagram.

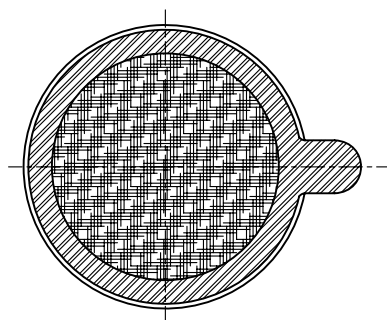
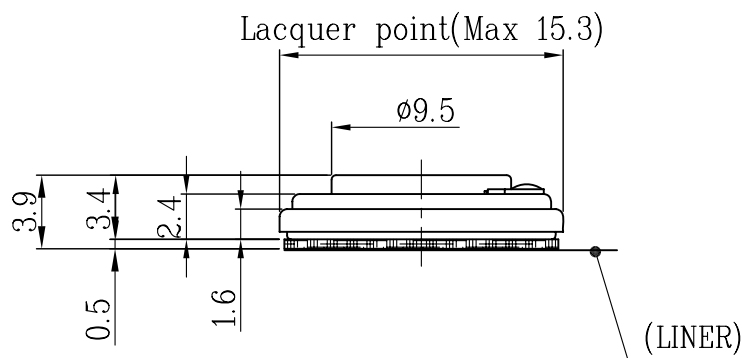
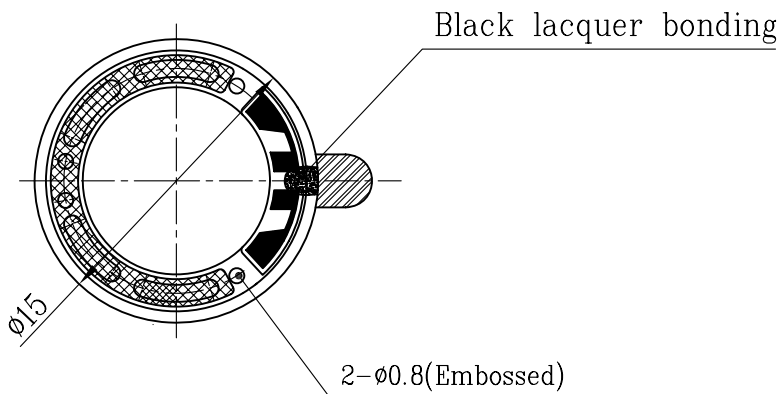
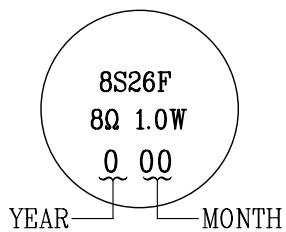


6. Measurement condition.

Microphone	B&K 4133	Zero level	50 dB
Mode	TSR	Input power	0.1 W
Mic distance	0.1m	Sweep time	0.5Sec

Model No.		CE-1508S26F	Page No.	4 of 4	
REV.NO	DATE	DESCRIPTION	DRAW.BY	CHKD.BY	APP.BY

MARKING



*NOTE: RoHS Compliant

UNIT	mm	DRAW.BY	CHKD.BY	APP.BY	DATE	12-APR-2012
SCALE	2.5 : 1	H.S.JANG	I.G.SONG	E.S.CHOI	MODEL NO.	CE-1508S26F
TOL	\pm 0.2	2012.04.12	2012.04.12	2012.04.12	NOMENCLATURE	MODEL DIMENSION
CHALLENGE ELECTRONICS.						