

SPECIFICATION

Product	Micro speaker	Issued date	02-Oct-08
Part No.	CE-208S35AVX	Page No.	1 of 4

1. Physical dimension.

Diameter	20 mm (Refer to drawing)
Thickness	3.4 mm (Refer to drawing)
Weight	2.9g ± 0.2g

2. Electric characteristics.

Impedance	8 Ω ± 15 % at 1.0V 1KHz.
S.P.L.	90 dB ± 3 dB at 0.8 , 1.0 , 1.2 , 1.5 KHz. Average figures / 4 Pts .
Power	Nor. : 0.5 W (2.0V)
	Max. : 0.8 W (2.53V)
Resonant Frequency (Fo)	550 Hz ± 20% at 1.0 V
Effective Frequency band	Fo ~ 20 KHz.
Distortion	Less than 5% at 1 KHz 0.1 W.
Buzz & rattle , etc.	Not be audible at 2.0 V sine wave, Fo ~ 20 KHz.
Load Test	Must be normal with program source 0.5 W. / (2.0V) White noise(EIA) / 96 Hrs.
Pressure(Air leak) Test	No air leak at the 3.0Kpa
Magnet	8.5 mm × 1.0 mm (Rare Earth Permanent Magnet)
Leakage Flux	Front Cover Surface Center : MAX 1000 Gauss

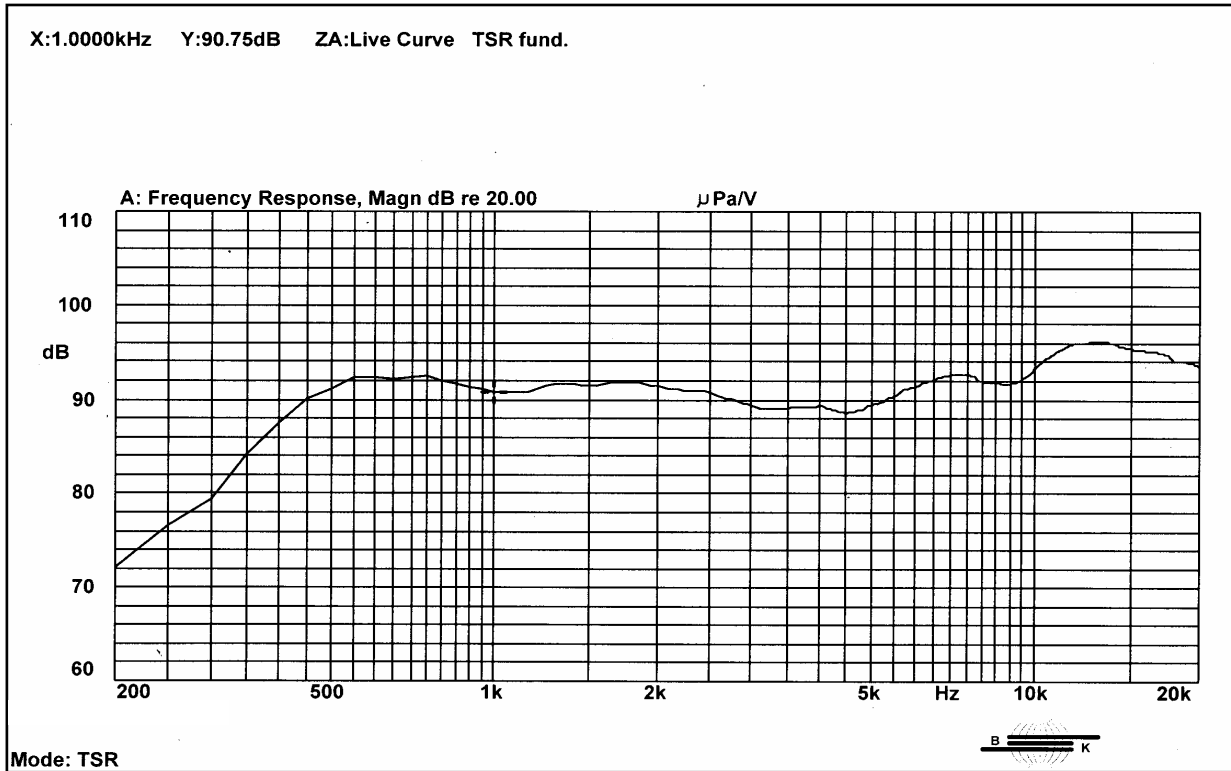
3. Environment Test

High Temperature	+60 °C ± 3 °C 96 Hrs and keep 6 Hrs in a room.
Low Temperature	-20 °C ± 3 °C 96 Hrs and keep 6 Hrs in a room.
Humidity Resistance	+60 °C ± 3 °C 90 % ± 5% 96 Hrs.
Operation Temperature Range	-20 °C ± 3 °C ~ +60 °C ± 3 °C
Storage Temperature Range	-20 °C ± 3 °C ~ +70 °C ± 3 °C

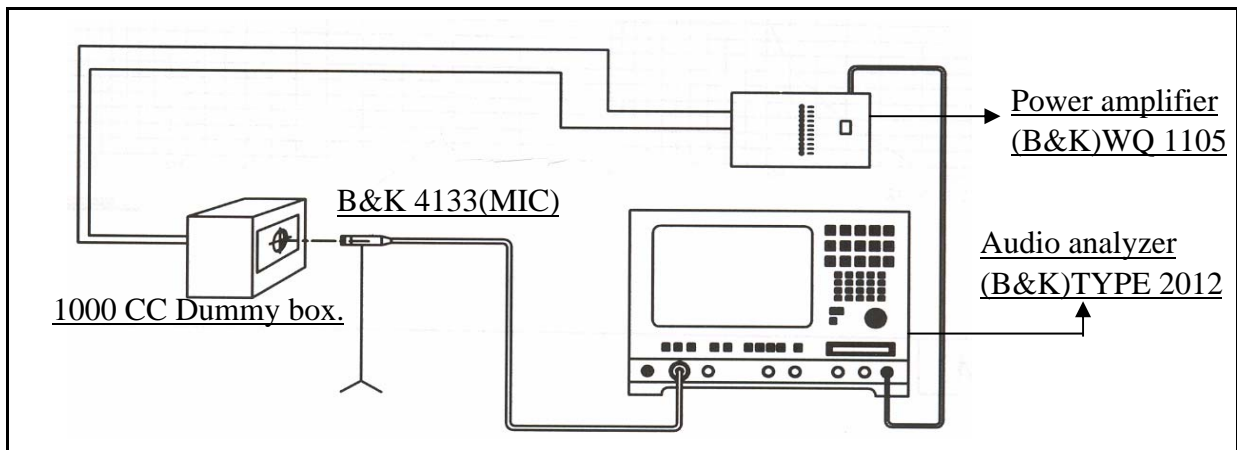
SPECIFICATION

Product	Micro speaker	Issued date	02-Oct-08
Part No.	CE-208S35AVX	Page No.	2 of 4

4. Frequency curve.



5. Test diagram.



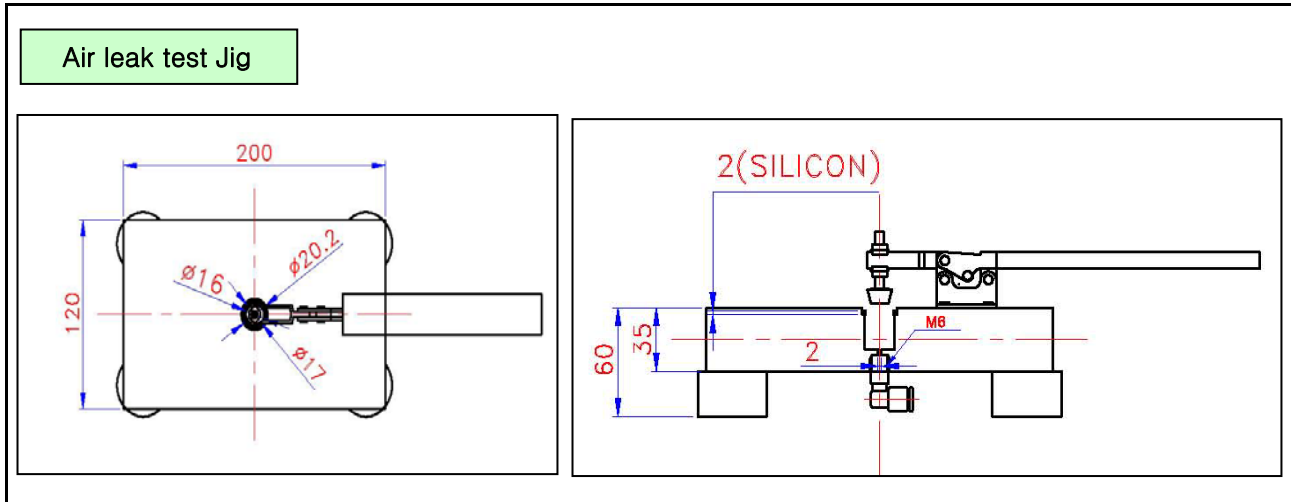
6. Measurement condition.

Microphone	B&K 4133	Zero level	60 dB
Mode	TSR	Input power	0.5 W
Mic distance	0.1m	Sweep time	0.5Sec

SPECIFICATION

Product	Micro speaker	Issued date	02-Oct-08
Part No.	CE-208S35AVX	Page No.	3 of 4

7. Pressure test.



♣ Testing Procedure

Speaker assembly → 1st 100% Audio test → Add red rubber gasket(Supplied by Sendum)

→ **1 100% Air leak test** → Remove red gasket → 100% 2nd Audio test

→ **2 100% Visual inspection**

1 100% Air leak test

: The pressure level must be maintained 3.0Kpa ~ 3.2Kpa, pressure level indicated on digital manometer.

2 100% Visual inspection

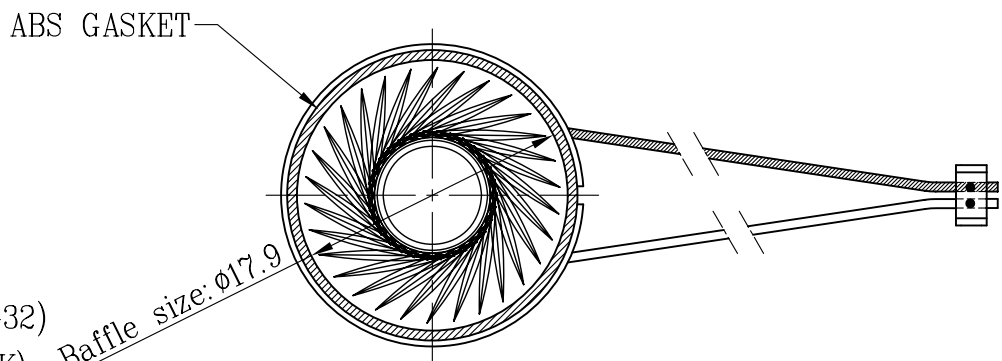
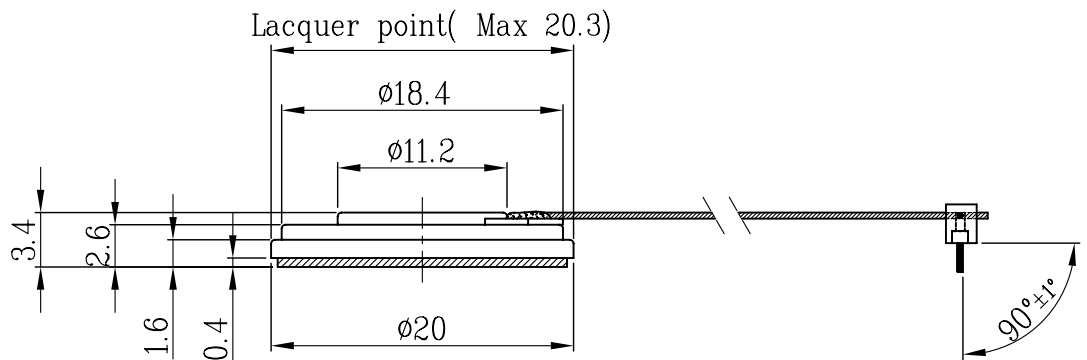
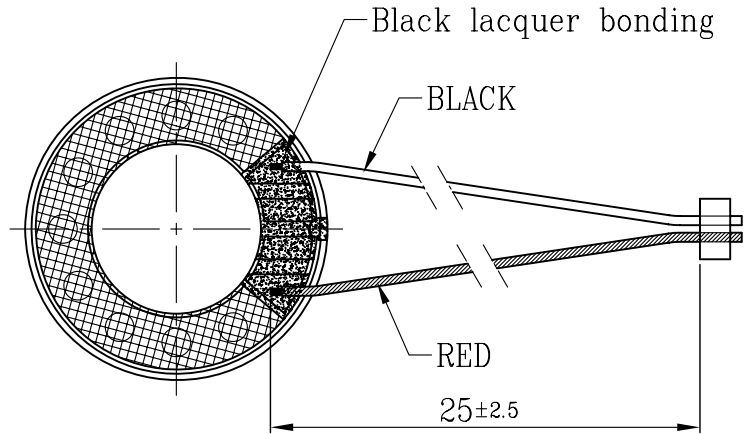
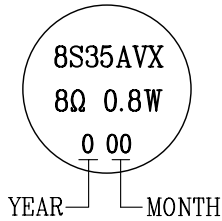
: The ABS gasket on speaker must not have burrs or scrapes or cuts.
The black epoxy must not be over applied to gasket at VC connection point.

♣ Testing condition

Instrument	Digital manometer #465, Test jig
Standard pressure	3.0Kpa ~ 3.2Kpa
Test time	3 ~ 5 Second/pc(Reading time under the pressure)
Test Q'ty	All 100%

REV.NO	DATE	DESCRIPTION	DRAW.BY	CHKD.BY	APP.BY

MARKING



NOTE

1. RoHS Compliant
2. WIRE: (UL1571/AWG32)
3. COLOR: (RED/BLACK)
4. CONNECTOR: KYOCERA ELCO 8000

UNIT	mm	DRAW.BY	CHKD.BY	APP.BY	DATE	02-OCT-2008
SCALE	2 : 1	D.W.P	I.G.SONG	E.S.CHOI	MODEL NO.	CE-208S35-AVX
TOL	±0.2	2008.10.02	2008.10.02	2008.10.02	NOMENCLATURE	MODEL DIMENSION

C H A L L E N G E E L E C T R O N I C S .