

INDICATORS • SPEAKERS • SOUND TRANSDUCERS • ENCLOSURES • MICROPHONES • BATTERY ACCESSORIES

CI12E-16T230-C-3

Former P/N: CEEB120B095-816C23P7.6LHR / CEEB120B-816LHR

Rev. 4-2020
RoHS3 & REACH
Electromagnetic Indicators



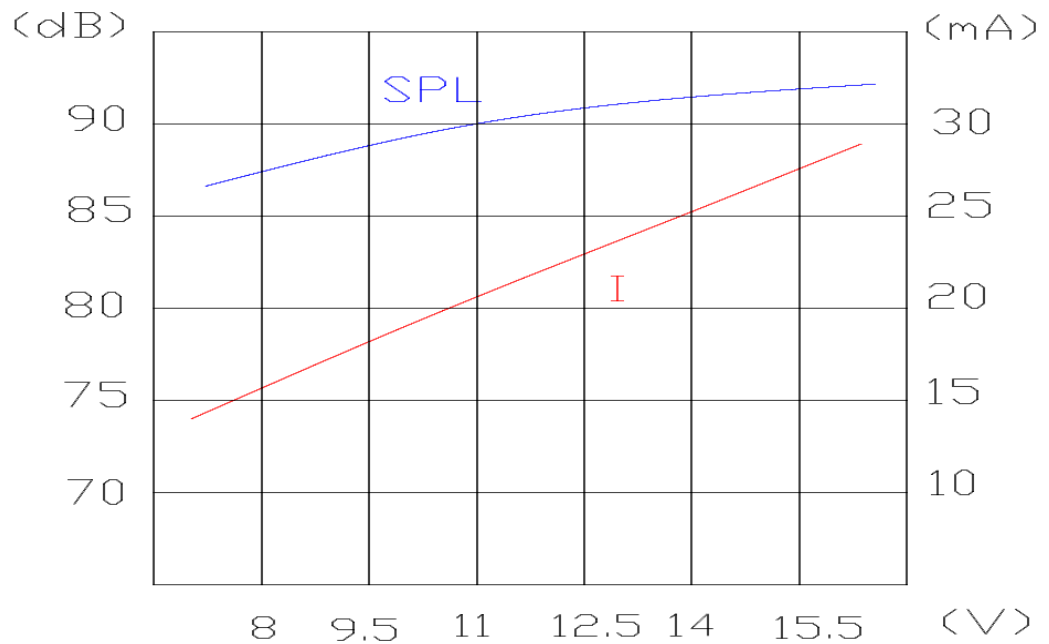
Operating Characteristics

ELECTRICAL

Rated Voltage	12.0 VDC
Operating Voltage	8.0 to 16.0 VDC
Max Current at Vmax	30 mA

ACOUSTIC

Tone Category	Continuous
Description	Steady
Center <i>f</i>	2300 ± 300 Hz
Min SPL at Vrated	85 dB
Test Conditions	10 cm



Physical Characteristics

MATERIALS

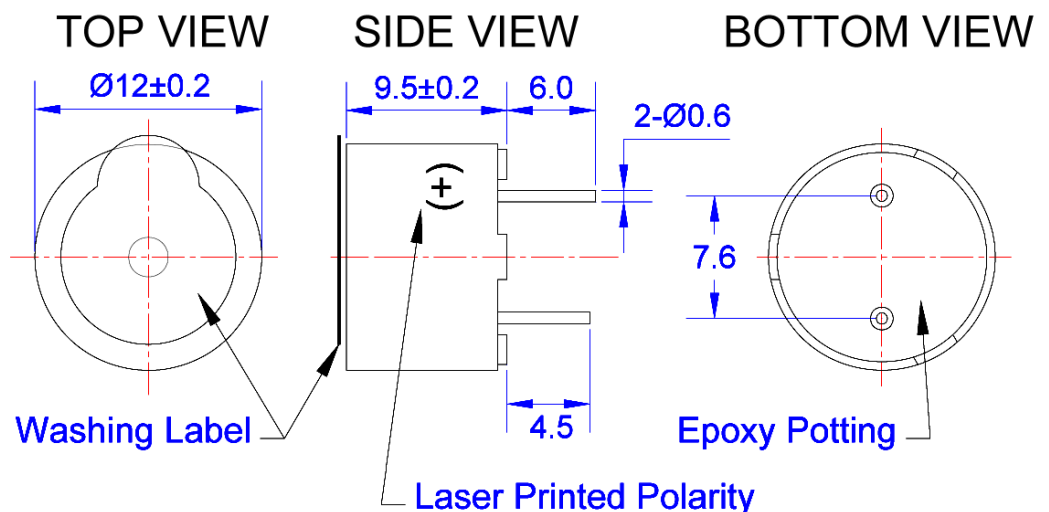
Housing	Noryl
Diaphragm	Nickel
PC Pin	Copper

TEMPERATURE RANGES

Operating	-40 to +85 °C
Storage	-40 to +85 °C

Weight 2 g

Tolerance: ± 0.5mm unless specified otherwise.



All Measurements are mm unless noted otherwise.

Revision	Description	By	Date
3-2020	Update mech drawing to remove old PN and Date code		2020-03-09
4-2020	Added abbreviated former PN. Added general tolerance.	JL	2020-11-04

Warranty: For a period of one (1) year from date of shipping under normal operations conditions This warranty does not apply to products damaged through misuse, abuse, improper installation, alteration, rework, or attempt to repair.

The information contained herein is believed to be correct, but no guarantee or warranty, express or implied, with respect to accuracy, completeness or results is extended and no liability is assumed. Challenge Electronics reserves the right to make changes in any specification, data or material contained herein.