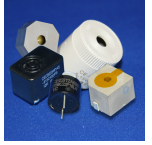


INDICATORS • SPEAKERS • SOUND TRANSDUCERS • ENCLOSURES • MICROPHONES • BATTERY ACCESSORIES

CI13E-15S230-C-3

Former P/N: CEEB128N095-815C23MR

Rev. 2-2019
RoHS3 & REACH
Electromagnetic Indicators



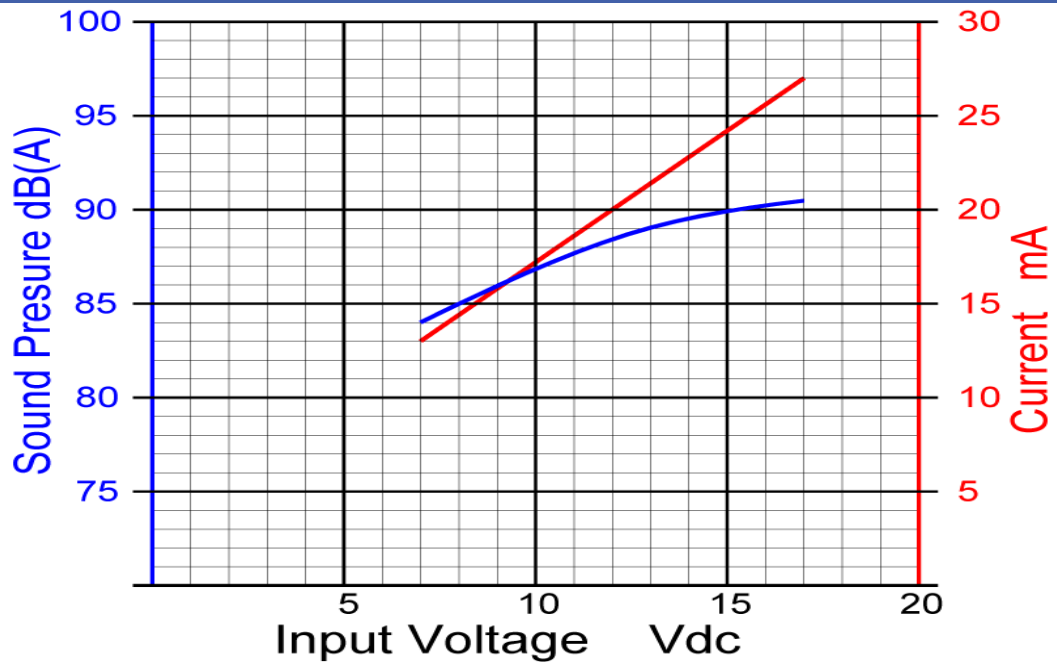
Operating Characteristics

ELECTRICAL

Rated Voltage	12 VDC
Operating Voltage	8 to 15 VDC
Max Current at Vmax	30 mA

ACOUSTIC

Tone Category	Continuous
Description	Steady
Center f	2300 \pm 300 Hz
Min SPL at Vrated	85 dB
Test Conditions	10 cm



Physical Characteristics

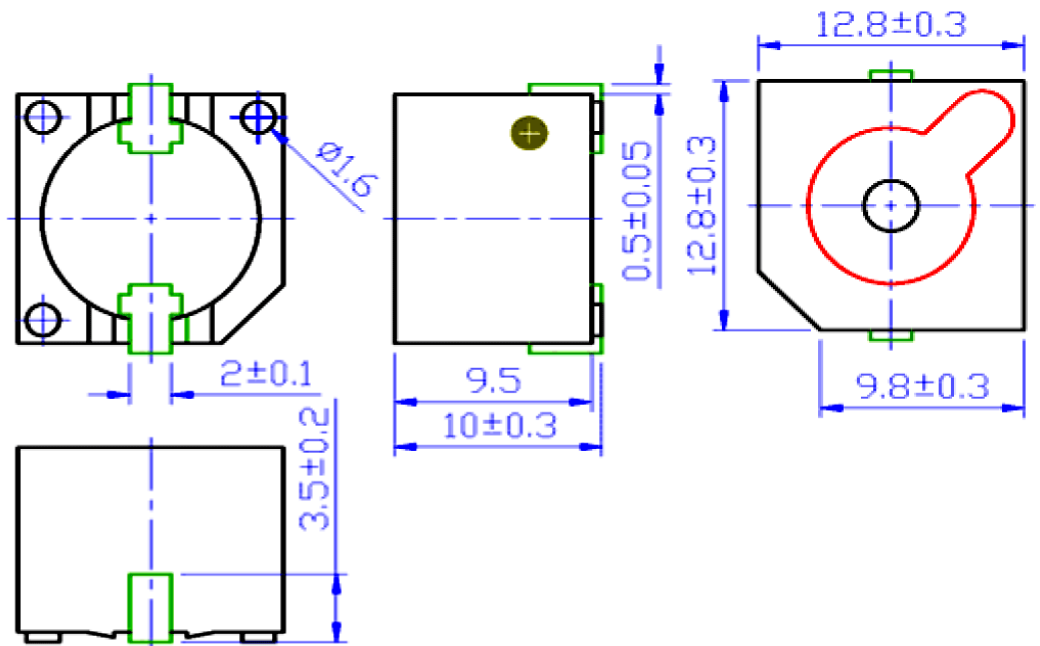
MATERIALS

Housing	PPS
Diaphragm	Ni Alloy
Solder Pad	Sn Plated Brass

TEMPERATURE RANGES

Operating	-30 to +85 °C
Storage	-40 to +90 °C

Weight 3 g



Revision	Description	By	Date
2-2019	Migrate to new format	JL	2019-06-25

Warranty: For a period of one (1) year from date of shipping under normal operations conditions This warranty does not apply to products damaged through misuse, abuse, improper installation, alteration, rework, or attempt to repair.

The information contained herein is believed to be correct, but no guarantee or warranty, express or implied, with respect to accuracy, completeness or results is extended and no liability is assumed. Challenge Electronics reserves the right to make changes in any specification, data or material contained herein.