

INDICATORS • SPEAKERS • SOUND TRANSDUCERS • ENCLOSURES • MICROPHONES • BATTERY ACCESSORIES

## CI13P-16T400-C-3

Former P/N: CEPB138A075Z316C40P76R

 Rev. 1-2019  
 RoHS3 & REACH  
 Piezoelectric Indicators

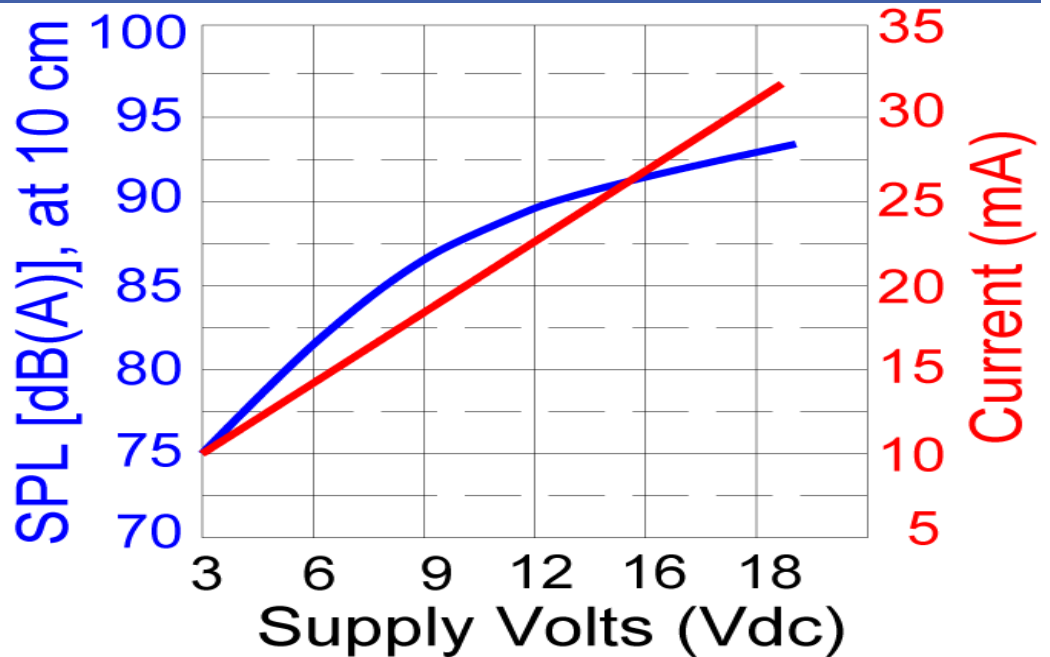

### Operating Characteristics

#### ELECTRICAL

Rated Voltage	12 VDC
Operating Voltage	3 to 16 VDC
Max Current at Vmax	7 mA

#### ACOUSTIC

Tone Category	Continuous
Description	Steady
Center $f$	4000 $\pm$ 500 Hz
Min SPL at Vrated	80 dB
Test Conditions	10 cm



### Physical Characteristics

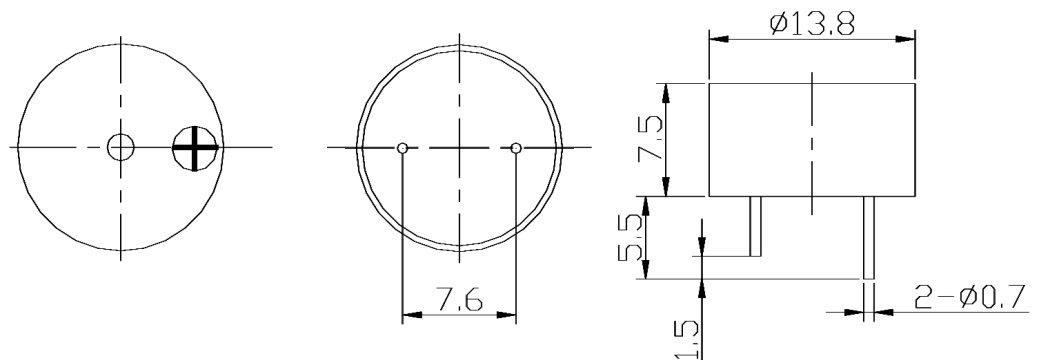
#### MATERIALS

Housing	Noryl
Diaphragm	Nickel
PC Pin	Nickel

#### TEMPERATURE RANGES

Operating	-30 to +70 °C
Storage	-40 to +85 °C

Weight 1 g



Revision	Description	By	Date
1-2019	Migrate to new format	YK	2019-06-21

Warranty: For a period of one (1) year from date of shipping under normal operations conditions This warranty does not apply to products damaged through misuse, abuse, improper installation, alteration, rework, or attempt to repair.

The information contained herein is believed to be correct, but no guarantee or warranty, express or implied, with respect to accuracy, completeness or results is extended and no liability is assumed. Challenge Electronics reserves the right to make changes in any specification, data or material contained herein.  
 ©2019 Challenge Electronics, Inc. 20190826153648