

CI13P-30T400-C-1

 Rev. 1-2023
 RoHS3 & REACH
 Piezoelectric Indicators

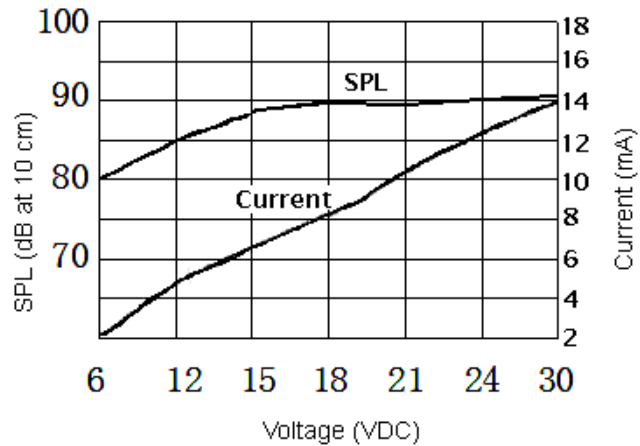

Operating Characteristics

ELECTRICAL

Rated Voltage	24 VDC
Operating Voltage	6 to 30 VDC
Max Current at Vrated	18 mA

ACOUSTIC

Tone Category	Continuous
Description	Steady
Center f	4000 \pm 500 Hz
Min SPL at Vrated	85 dB
Test Conditions	10 cm



Physical Characteristics

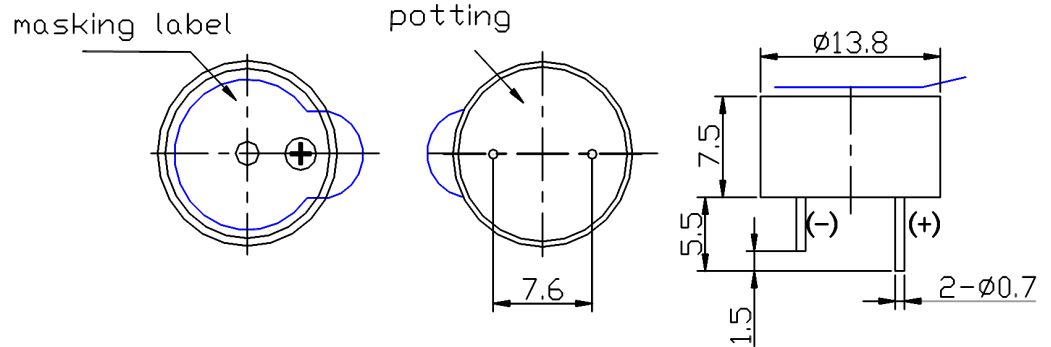
MATERIALS

Housing	Noryl
Diaphragm	Nickel
Through-hole Pin	Tin Plated Brass

TEMPERATURE RANGES

Operating	-30 to +70 °C
Storage	-40 to +85 °C

Weight	1 g
--------	-----



Unless otherwise specified, Tolerance: $\pm 0.5\text{mm}$

All measurements in mm unless otherwise noted.

Revision	Description	By	Date
0-2021	Original Specification	CT	2021-08-04
1-2023	Added part image.	SK	2023-05-08

Warranty: For a period of one (1) year from date of shipping under normal operations conditions. This warranty does not apply to products damaged through misuse, abuse, improper installation, alteration, rework, or attempt to repair.

The information contained herein is believed to be correct, but no guarantee or warranty, express or implied, with respect to accuracy, completeness or results is extended and no liability is assumed. Challenge Electronics reserves the right to make changes in any specification, data or material contained herein.