

## CI23P-15T350-P-1

Rev. 0-2026  
RoHS3 & REACH  
LED Piezoelectric Indicators



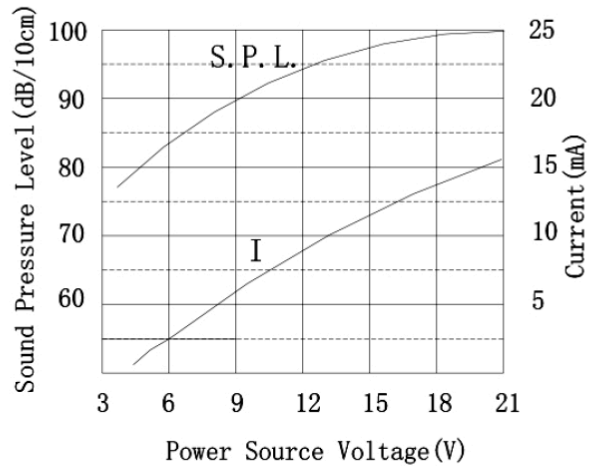
### Operating Characteristics

#### ELECTRICAL

Rated Voltage	12 VDC
Operating Voltage	3.5 to 15 VDC
Max Current at Rated	20 mA
LED Pulse Frequency	1.6 Hz ± 30 %

#### ACOUSTIC

Tone Category	Pulsating
Description	Intermittent
Center $f$	3,500 ± 500 Hz
Pulse $f$	1.6 Hz ± 30 %
Min SPL at Rated	90 dB
SPL Test Conditions	10 cm



### Physical Characteristics

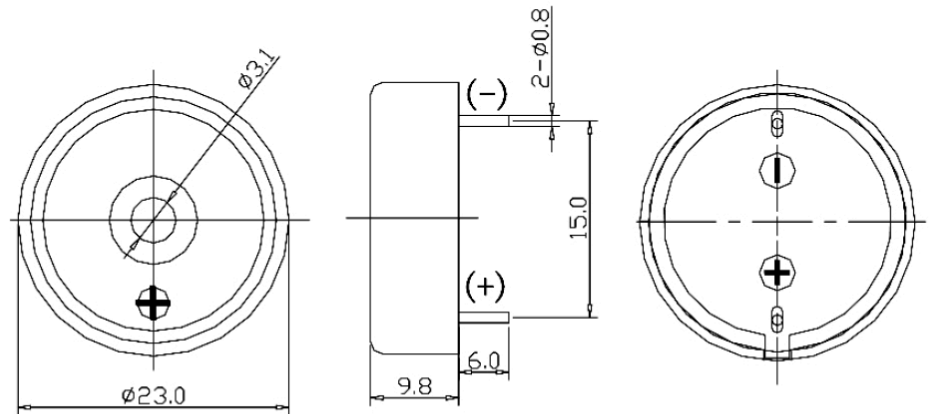
#### MATERIALS

Housing	Transparent PC
Diaphragm	Brass
PC Pin	Red Copper (DSn)

#### TEMPERATURE RANGES

Operating	-30 to +70 °C
Storage	-40 to +85 °C

Weight 4.5 g



General tolerance = ±0.5 mm and all measurements in mm unless otherwise noted.

Revision	Description	By	Date
0-2026	Original Specification	KG	2026-03-27

Warranty: For a period of one (1) year from date of shipping under normal operations conditions. This warranty does not apply to products damaged through misuse, abuse, improper installation, alteration, rework, or attempt to repair.

The information contained herein is believed to be correct, but no guarantee or warranty, express or implied, with respect to accuracy, completeness or results is extended and no liability is assumed. Challenge Electronics reserves the right to make changes in any specification, data or material contained herein.