

INDICATORS • SPEAKERS • SOUND TRANSDUCERS • ENCLOSURES • MICROPHONES • BATTERY ACCESSORIES

CI23P-18S320-C-1

Former P/N: CEPB238A111-618C32MHR

Rev. 1-2019
RoHS3 & REACH
Piezoelectric Indicators



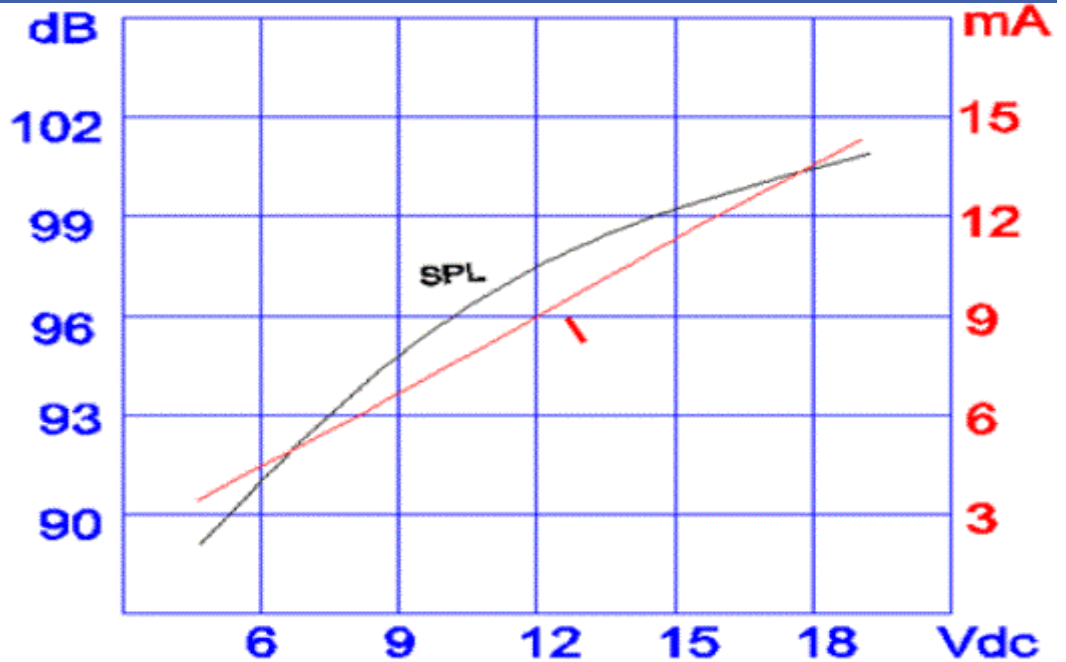
Operating Characteristics

ELECTRICAL

Rated Voltage	9 VDC
Operating Voltage	6 to 18 VDC
Max Current at Vmax	10 mA

ACOUSTIC

Tone Category	Continuous
Description	Steady
Center f	3200 ± 500 Hz
Min SPL at Vrated	90 dB
Test Conditions	10 cm



Physical Characteristics

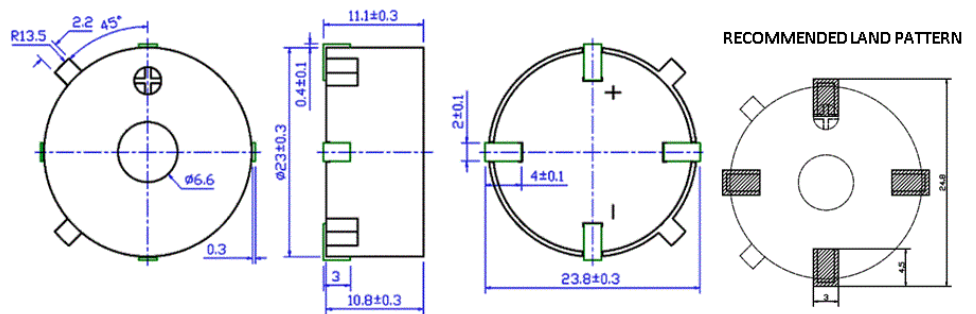
MATERIALS

Housing	PPS A7-03
Diaphragm	Ni Alloy
Solder Pad	Sn Plated Brass

TEMPERATURE RANGES

Operating	-40 to +85 °C
Storage	-40 to +90 °C

Weight 3.4 g



Revision	Description	By	Date
1-2019	Migrate to new format	YK	2019-06-21

Warranty: For a period of one (1) year from date of shipping under normal operations conditions This warranty does not apply to products damaged through misuse, abuse, improper installation, alteration, rework, or attempt to repair.

The information contained herein is believed to be correct, but no guarantee or warranty, express or implied, with respect to accuracy, completeness or results is extended and no liability is assumed. Challenge Electronics reserves the right to make changes in any specification, data or material contained herein.
©2019 Challenge Electronics, Inc. 20190826153700