

CI24P-16W310-C-1

Former P/N: CE-CX516Z24W152

 Rev. 1-2019
 RoHS3 & REACH
 Piezoelectric Indicators

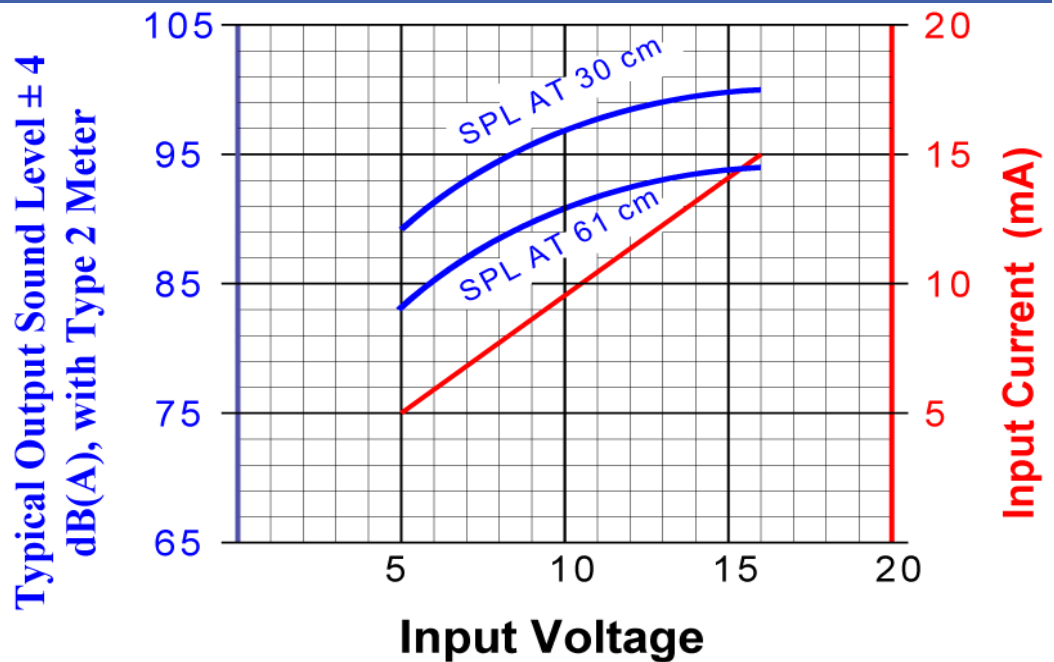

Operating Characteristics

ELECTRICAL

Rated Voltage	12 VDC
Operating Voltage	5 to 16 VDC
Max Current at Vmax	12 mA

ACOUSTIC

Tone Category	Continuous
Description	Steady
Center f	3100 \pm 250 Hz
Min SPL at Vrated	94 dB
Test Conditions	30 cm



Physical Characteristics

MATERIALS

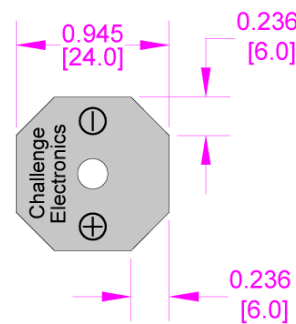
Housing	Noryl
Diaphragm	Brass
Wire	UL 1015, 22 AWG

TEMPERATURE RANGES

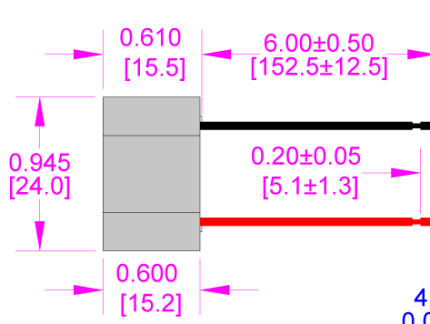
Operating	-40 to +85 °C
Storage	-40 to +85 °C

Weight	8 g
--------	-----

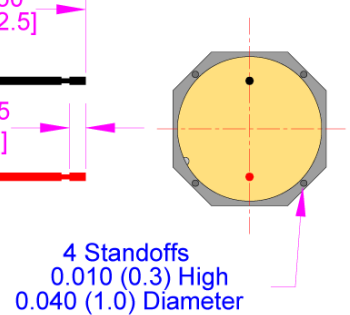
FRONT VIEW



SIDE VIEW



REAR VIEW



Revision	Description	By	Date
0-2012	Initial Specification Sheet	EZ	2012-03-26
1-2019	Migrate to new format	JL	2019-06-24

Warranty: For a period of one (1) year from date of shipping under normal operations conditions This warranty does not apply to products damaged through misuse, abuse, improper installation, alteration, rework, or attempt to repair.

The information contained herein is believed to be correct, but no guarantee or warranty, express or implied, with respect to accuracy, completeness or results is extended and no liability is assumed. Challenge Electronics reserves the right to make changes in any specification, data or material contained herein.