

INDICATORS • SPEAKERS • SOUND TRANSDUCERS • ENCLOSURES • MICROPHONES • BATTERY ACCESSORIES

CI26M-08T40-C-1

Former P/N: CEMB26K197-06C04PR / CEMB26K-06

Rev. 4-2020
RoHS3 & REACH
Mechanical Indicators



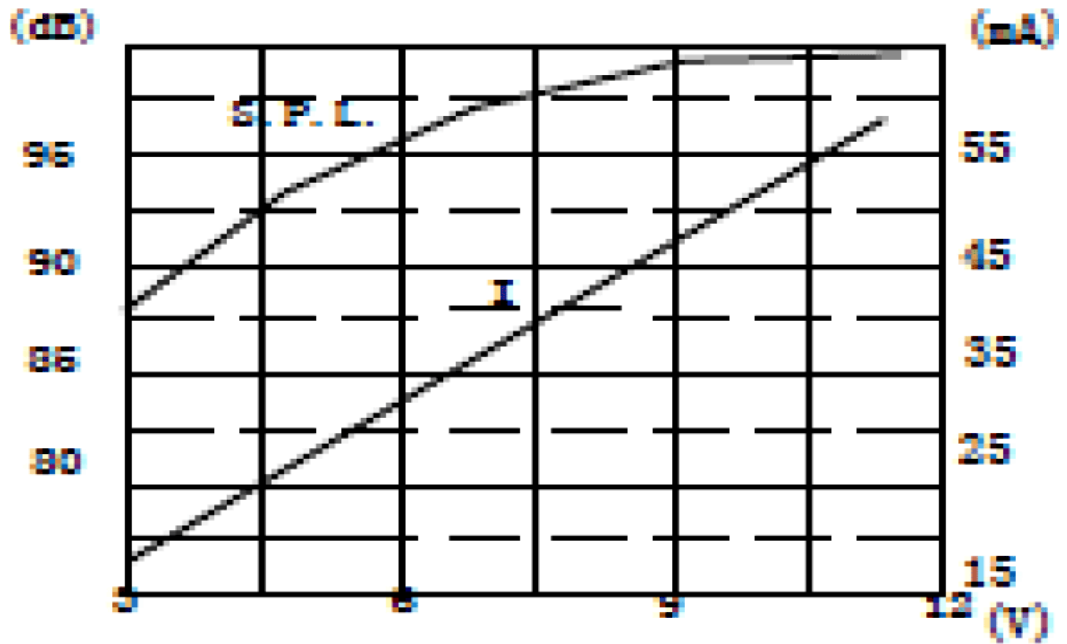
Operating Characteristics

ELECTRICAL

| | |
|---------------------|------------|
| Rated Voltage | 6 VDC |
| Operating Voltage | 4 to 8 VDC |
| Max Current at Vmax | 50 mA |

ACOUSTIC

| | |
|-------------------|--------------|
| Tone Category | Continuous |
| Description | Steady |
| Center f | 400 ± 100 Hz |
| Min SPL at Vrated | 90 dB |
| Test Conditions | 10 cm |



Physical Characteristics

MATERIALS

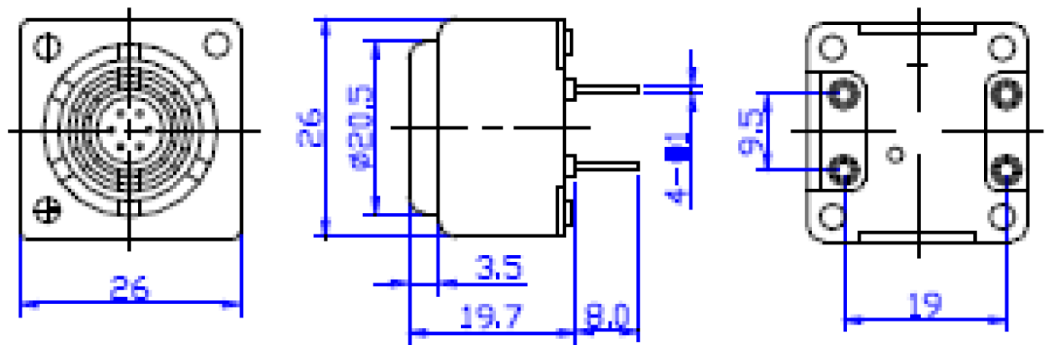
| | |
|-----------|-----------------|
| Housing | ABS |
| Diaphragm | Stainless Steel |
| PC Pin | Brass/Copper |

TEMPERATURE RANGES

| | |
|-----------|---------------|
| Operating | -20 to +60 °C |
| Storage | -30 to +70 °C |

Weight 17 g

Tolerance: ±0.5mm



All Measurements are mm unless noted otherwise.

| Revision | Description | By | Date |
|----------|---|----|------------|
| 3-2019 | Migrate to new format | YK | 2019-06-21 |
| 4-2020 | Added abbreviated former PN. Added general tolerance. | JL | 2020-11-05 |

Warranty: For a period of one (1) year from date of shipping under normal operations conditions This warranty does not apply to products damaged through misuse, abuse, improper installation, alteration, rework, or attempt to repair.

The information contained herein is believed to be correct, but no guarantee or warranty, express or implied, with respect to accuracy, completeness or results is extended and no liability is assumed. Challenge Electronics reserves the right to make changes in any specification, data or material contained herein.