

CI26M-16T40-C-1

Former P/N: CEMB26K197-12C04PR / CEMB26K-12

Rev. 9-2024
RoHS3 & REACH
Mechanical Indicators



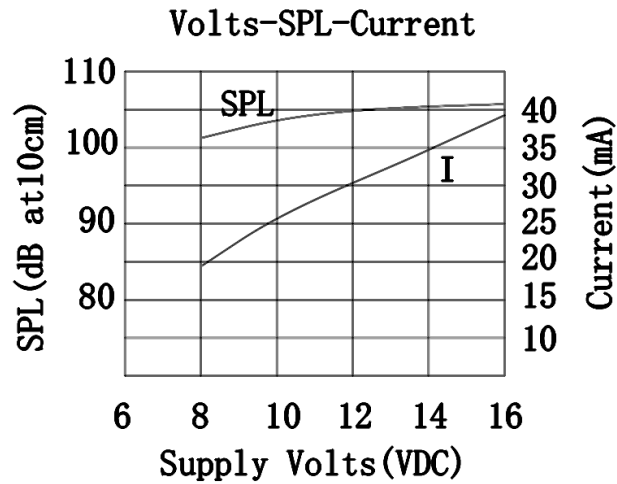
Operating Characteristics

ELECTRICAL

Rated Voltage	12 VDC
Operating Voltage	8 to 16 VDC
Max Current at Vrated	40 mA

ACOUSTIC

Tone Category	Continuous
Description	Steady
Center <i>f</i>	400 ± 100 Hz
Min SPL at Vrated	95 dB
Test Conditions	10 cm



Physical Characteristics

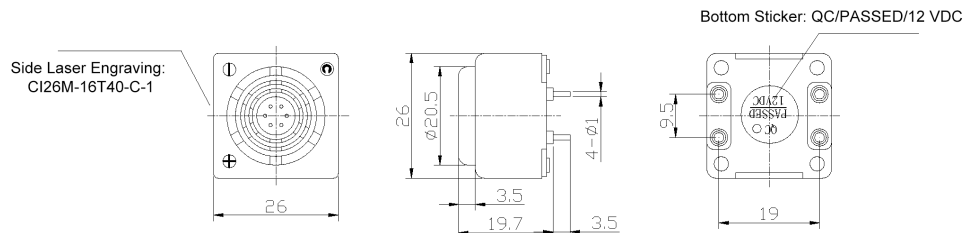
MATERIALS

Housing	Gray Noryl
Diaphragm	Stainless Steel
PC Pin	Copper/Brass

TEMPERATURE RANGES

Operating	-40 to +85 °C
Storage	-40 to +85 °C

Weight 17 g



General tolerance = ±0.5 mm and all measurements in mm unless otherwise noted.

Revision	Description	By	Date
8-2024	Updated operating temperature from -30 to +70 °C to -40 to +85 °C.	AL	2024-01-17
9-2024	Updated pin length from 8mm to 3.5mm. Added tube packaging. Updated housing material from Noryl to Gray Noryl.	JL	2024-07-18

Warranty: For a period of one (1) year from date of shipping under normal operations conditions. This warranty does not apply to products damaged through misuse, abuse, improper installation, alteration, rework, or attempt to repair.

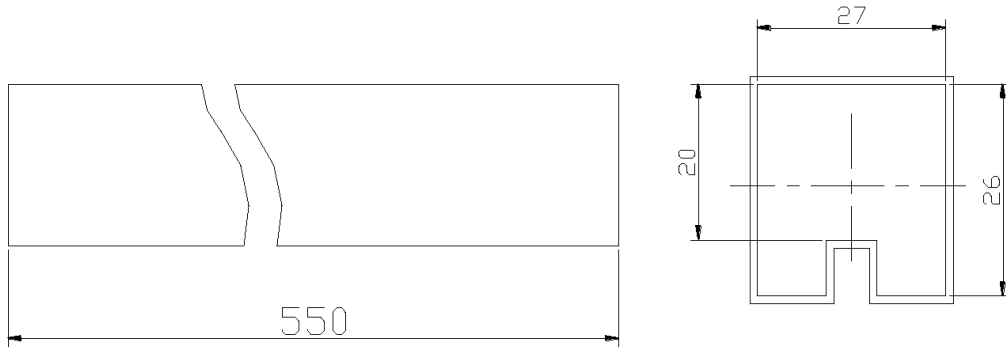
The information contained herein is believed to be correct, but no guarantee or warranty, express or implied, with respect to accuracy, completeness or results is extended and no liability is assumed. Challenge Electronics reserves the right to make changes in any specification, data or material contained herein.

CI26M-16T40-C-1

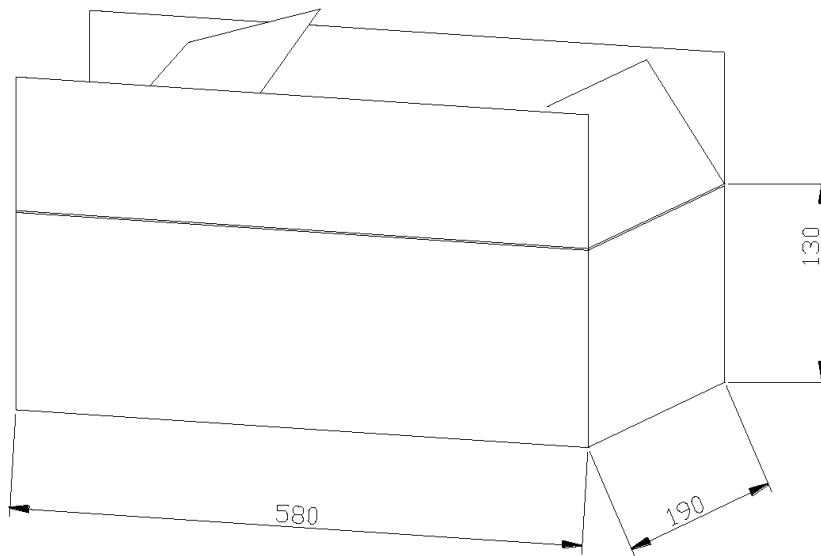
Former P/N: CEMB26K197-12C04PR / CEMB26K-12

 Rev. 9-2024
 RoHS3 & REACH
 Mechanical Indicators


Tube Packaging



20PCS/tube



Wrap 6 tubes in kraft paper

480PCS/CTN

Revision	Description	By	Date
8-2024	Updated operating temperature from -30 to +70 °C to -40 to +85 °C.	AL	2024-01-17
9-2024	Updated pin length from 8mm to 3.5mm. Added tube packaging. Updated housing material from Noryl to Gray Noryl.	JL	2024-07-18

Warranty: For a period of one (1) year from date of shipping under normal operations conditions. This warranty does not apply to products damaged through misuse, abuse, improper installation, alteration, rework, or attempt to repair.

The information contained herein is believed to be correct, but no guarantee or warranty, express or implied, with respect to accuracy, completeness or results is extended and no liability is assumed. Challenge Electronics reserves the right to make changes in any specification, data or material contained herein.