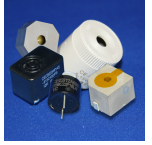


CI30P-05T350-C-1

Former P/N: CEPB300B205-205C35PLR

Rev. 5-2019
RoHS3 & REACH
Piezoelectric Indicators



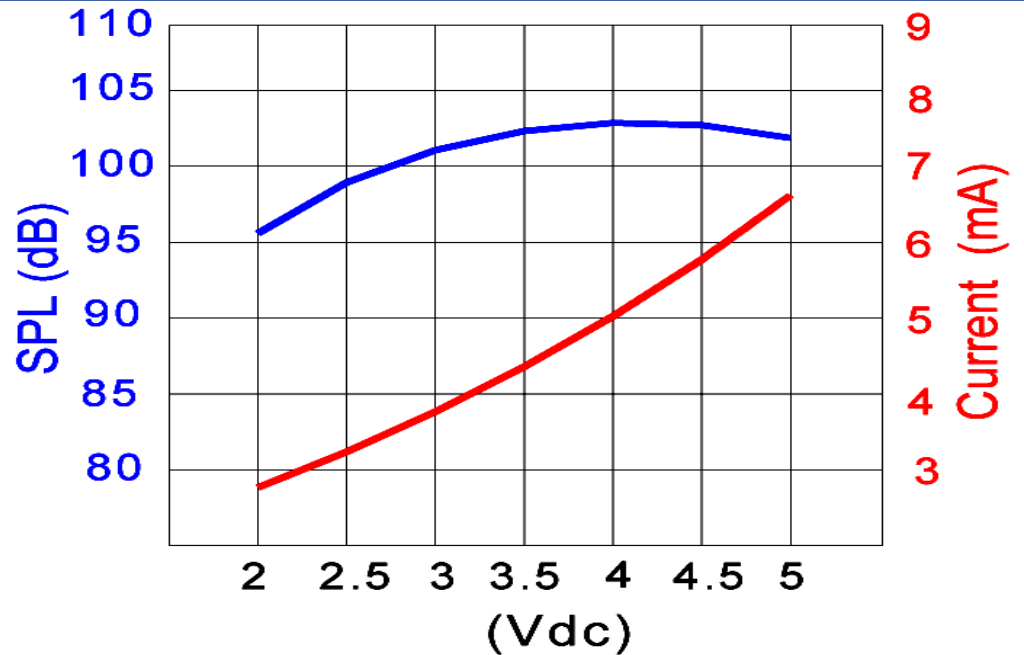
Operating Characteristics

ELECTRICAL

Rated Voltage	3 VDC
Operating Voltage	2 to 5 VDC
Max Current at Vmax	9 mA

ACOUSTIC

Tone Category	Continuous
Description	Steady
Center f	3500 \pm 500 Hz
Min SPL at Vrated	100 dB
Test Conditions	10 cm



Physical Characteristics

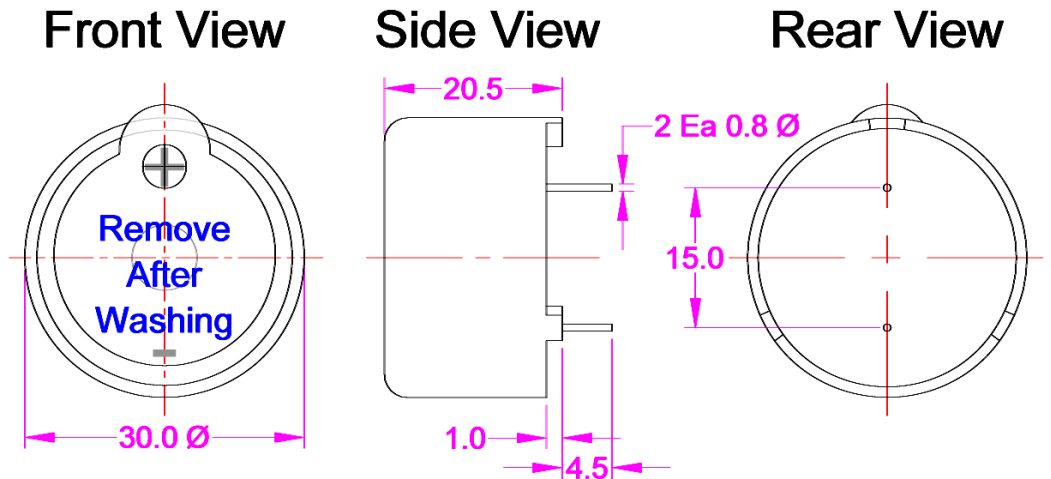
MATERIALS

Housing	PBT
Diaphragm	Brass
PC Pin	Tin Plated Copper

TEMPERATURE RANGES

Operating	-30 to + 70 °C
Storage	-40 to +85 °C

Weight 15 g



Revision	Description	By	Date
4-2018	Update Title, Remove Driver Circuits	WS	2016-09-15
5-2019	Migrate to new format	CF	2019-06-21

Warranty: For a period of one (1) year from date of shipping under normal operations conditions This warranty does not apply to products damaged through misuse, abuse, improper installation, alteration, rework, or attempt to repair.

The information contained herein is believed to be correct, but no guarantee or warranty, express or implied, with respect to accuracy, completeness or results is extended and no liability is assumed. Challenge Electronics reserves the right to make changes in any specification, data or material contained herein.