

CI30P-15T300-P-1

Former P/N: CEPB300B200-315B30P15R

Rev. 2-2025
RoHS3 & REACH
Piezoelectric Indicators



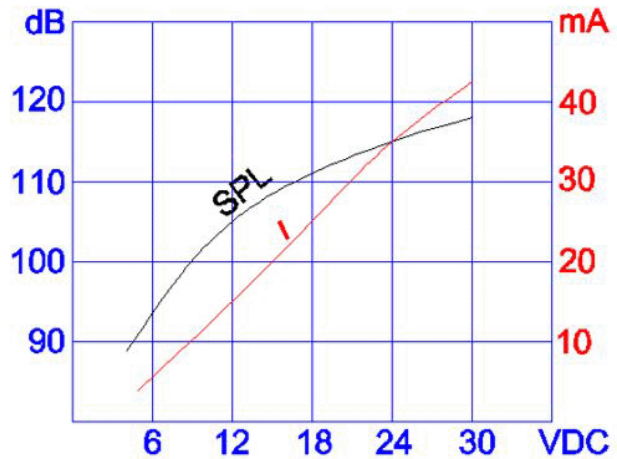
Operating Characteristics

ELECTRICAL

Rated Voltage	12 VDC
Operating Voltage	4 to 30 VDC
Max Current at Vrated	30 mA

ACOUSTIC

Tone Category	Pulsating
Description	Intermittent
Center f	3,000 \pm 500 Hz
Pulse f	1 Hz \pm 20 %
Min SPL at Vrated	100 dB
SPL Test Conditions	10 cm



Physical Characteristics

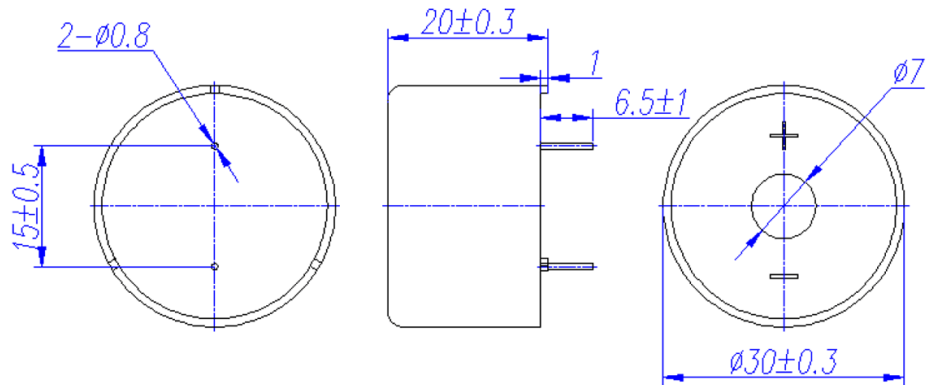
MATERIALS

Housing	Plastic Noryl, PX9406
Diaphragm	Brass
PC Pin	Electro Tin Plated Brass

TEMPERATURE RANGES

Operating	-40 to +85 °C
Storage	-40 to +90 °C

Weight 8 g



General tolerance = ± 0.5 mm and all measurements in mm unless otherwise noted.

Revision	Description	By	Date
1-2019	Migrate to new format	YK	2019-06-21
2-2025	Updated mechanical drawing and general tolerance to ± 0.5 mm. Updated the voltage range from 3-15VDC to 4-30VDC. Updated the max current from 40mA at max voltage to 30mA at rated voltage. Updated the SPL-Current response curve. Updated the housing material from ABS to Plastic,Noryl PX9406.	KG	2025-11-03

Warranty: For a period of one (1) year from date of shipping under normal operations conditions. This warranty does not apply to products damaged through misuse, abuse, improper installation, alteration, rework, or attempt to repair.

The information contained herein is believed to be correct, but no guarantee or warranty, express or implied, with respect to accuracy, completeness or results is extended and no liability is assumed. Challenge Electronics reserves the right to make changes in any specification, data or material contained herein.