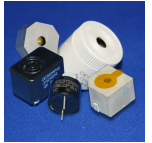


CI30P-28W325-C-1

Rev. 1-2023
RoHS3 & REACH
Piezoelectric Indicators



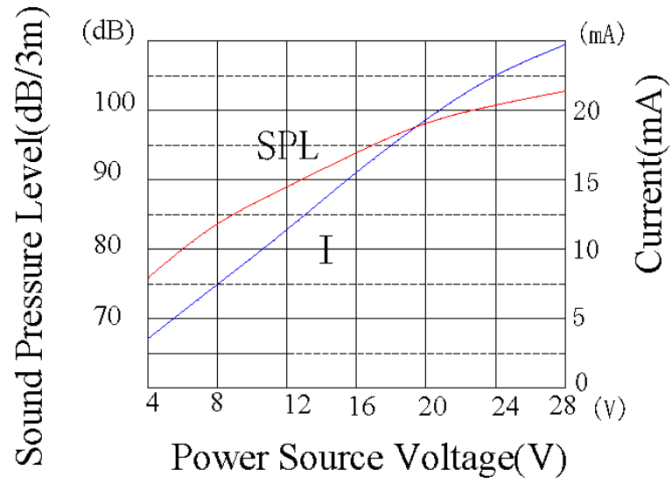
Operating Characteristics

ELECTRICAL

Rated Voltage	12 VDC
Operating Voltage	3 to 28 VDC
Max Current at Vrated	20 mA

ACOUSTIC

Tone Category	Continuous
Description	Steady
Center f	3250 \pm 300 Hz
Min SPL at Vrated	85 dB
Test Conditions	300 cm



Physical Characteristics

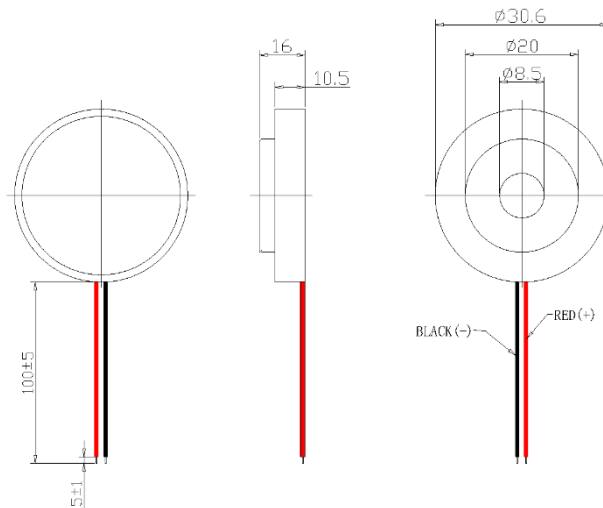
MATERIALS

Housing	Black ABS
Diaphragm	Brass
Wire	UL1571, 28 AWG

TEMPERATURE RANGES

Operating	-40 to +85 °C
Storage	-40 to +85 °C

Weight 6 g



General tolerance = ± 0.5 mm and all measurements in mm unless otherwise noted.

Revision	Description	By	Date
0-2023	Original Specification	AL	2023-04-10
1-2023	Updated SPL from 105dB at 30cm to 85dB at 300cm.	AL	2023-04-24

Warranty: For a period of one (1) year from date of shipping under normal operations conditions. This warranty does not apply to products damaged through misuse, abuse, improper installation, alteration, rework, or attempt to repair.

The information contained herein is believed to be correct, but no guarantee or warranty, express or implied, with respect to accuracy, completeness or results is extended and no liability is assumed. Challenge Electronics reserves the right to make changes in any specification, data or material contained herein.