

## CI35P-30E245-C-2X

Former P/N: CE-CX530F24Q

Rev. 6-2019  
RoHS3 & REACH & 300 HR ASTM B117 & IP65  
Piezoelectric Indicators



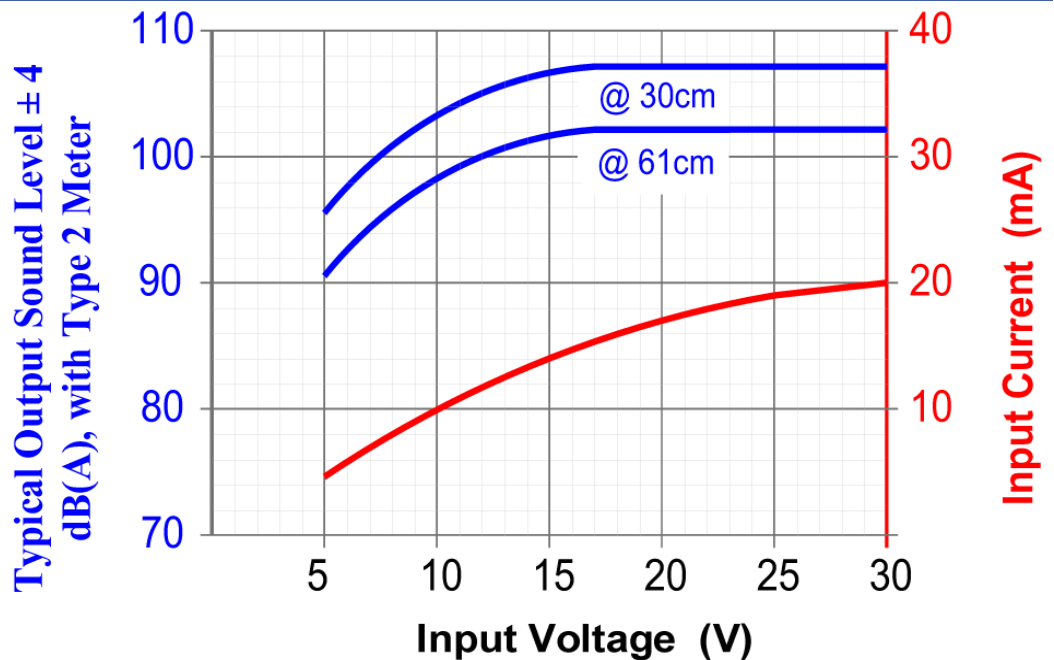
### Operating Characteristics

#### ELECTRICAL

Rated Voltage	24 VDC
Operating Voltage	5 to 30 VDC
Max Current at Vmax	30 mA

#### ACOUSTIC

Tone Category	Continuous
Description	Steady
Center $f$	2450 $\pm$ 250 Hz
Min SPL at Vmin	83 dB
Min SPL at Vmax	98 dB
Test Conditions	61 cm



### Physical Characteristics

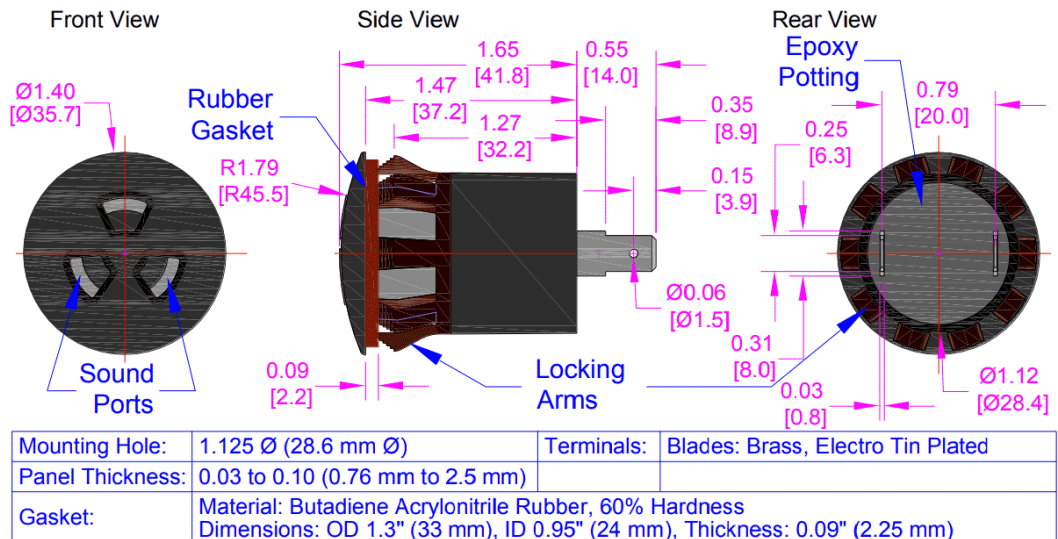
#### MATERIALS

Housing	MPPO
Diaphragm	Stainless Steel
Terminal	Brass

#### TEMPERATURE RANGES

Operating	-30 to +65 °C
Storage	-40 to +90 °C

Weight 37 g



Revision	Description	By	Date
5-2016	Modify the format	EZ	2016-01-26
6-2019	Migrate to new format	YK	2019-06-21

Warranty: For a period of two (2) years from date of shipping under normal operations conditions This warranty does not apply to products damaged through misuse, abuse, improper installation, alteration, rework, or attempt to repair.

The information contained herein is believed to be correct, but no guarantee or warranty, express or implied, with respect to accuracy, completeness or results is extended and no liability is assumed. Challenge Electronics reserves the right to make changes in any specification, data or material contained herein.