

## CI36P-28E290-C-1X

Former P/N: CE-CM628AS

Rev. 2-2025  
RoHS3 & REACH  
IP68 & 300 HR ASTM B117  
Piezoelectric Indicators



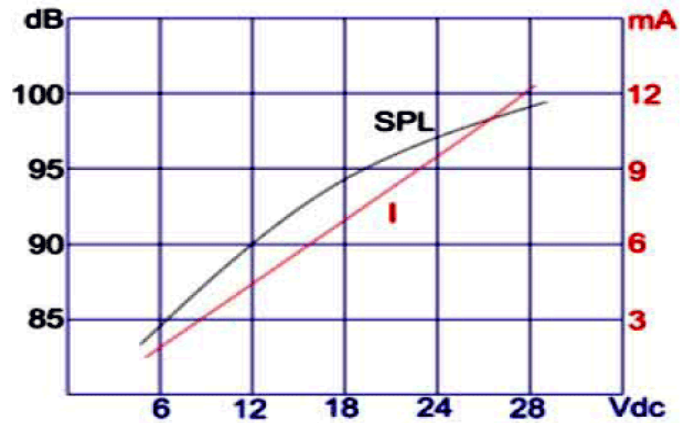
### Operating Characteristics

#### ELECTRICAL

Rated Voltage	12 VDC
Operating Voltage	6 to 28 VDC
Max Current at Vmax	15 mA

#### ACOUSTIC

Tone Category	Continuous
Description	Steady
Center <i>f</i>	2,900 ± 250 Hz
Min SPL at Vmin	80 dB
Min SPL at Vmax	93 dB
SPL Test Conditions	61 cm



### Physical Characteristics

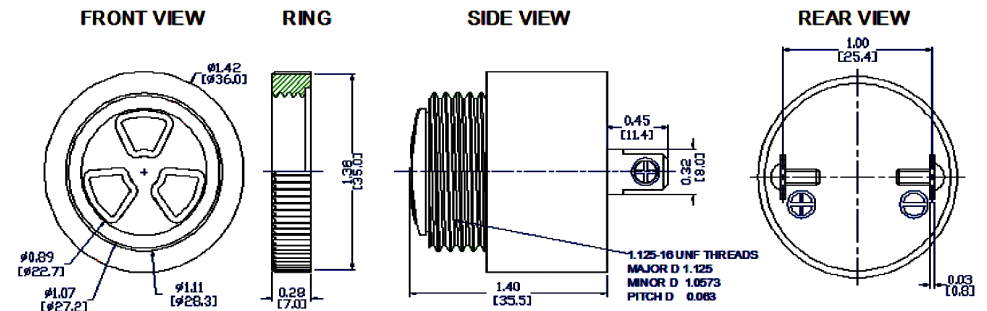
#### MATERIALS

Housing	Noryl PX9406
Diaphragm	Stainless Steel
Terminal	Electro-Tin Plated Brass
Screws	Stainless Steel

#### TEMPERATURE RANGES

Operating	-30 to +65 °C
Storage	-40 to +100 °C

Weight 34 g



Revision	Description	By	Date
1-2019	Migrate to new format	JL	2019-06-21
2-2025	Updated mechanical drawing and materials table to include screws.	KG	2025-03-24

Warranty: For a period of two (2) years from date of shipping under normal operations conditions. This warranty does not apply to products damaged through misuse, abuse, improper installation, alteration, rework, or attempt to repair. IP Rating ensures functionality after water has been drained fully from device.

The information contained herein is believed to be correct, but no guarantee or warranty, express or implied, with respect to accuracy, completeness or results is extended and no liability is assumed. Challenge Electronics reserves the right to make changes in any specification, data or material contained herein.