

CI36P-30E290-P-38X

Former P/N: CE-BM631AVQF

 Rev. 9-2022
 RoHS3 & REACH
 300 HR ASTM B117 & IP68
 Piezoelectric Indicators


Operating Characteristics

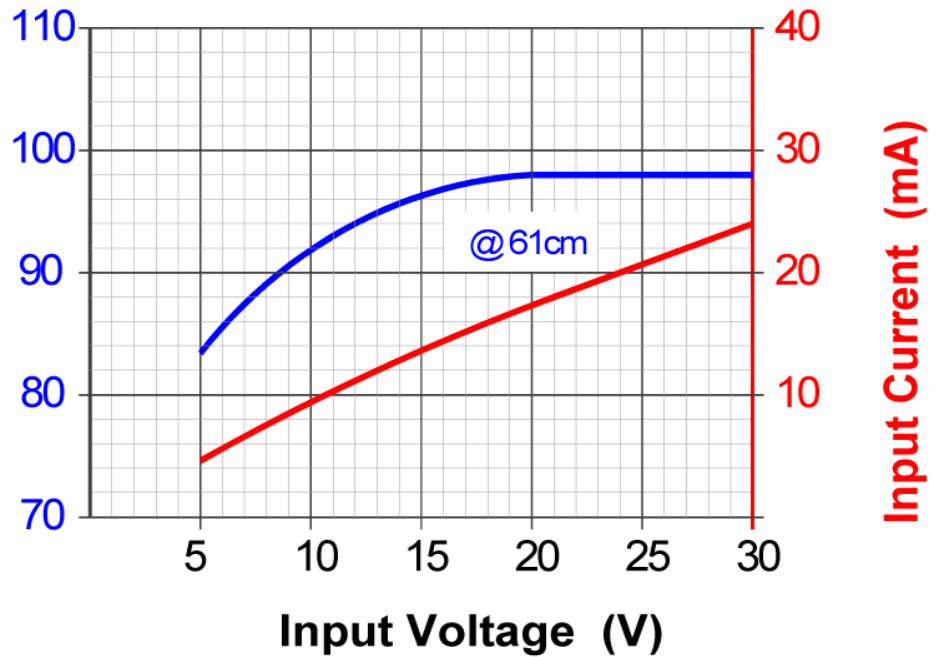
ELECTRICAL

Rated Voltage	24 V AC/DC
Operating Voltage	6 to 30 V AC/DC
Max Current at Vmax	25 mA

ACOUSTIC

Tone Category	Pulsating
Description	Intermittent
Center f	2900 \pm 250 Hz
Pulse f	3 Hz \pm 10 %
Min SPL at Vmin	80 dB
Min SPL at Vmax	95 dB
Test Conditions	61 cm

Typical Output Sound Level \pm 4
 dB(A), with Type 2 Meter



Physical Characteristics

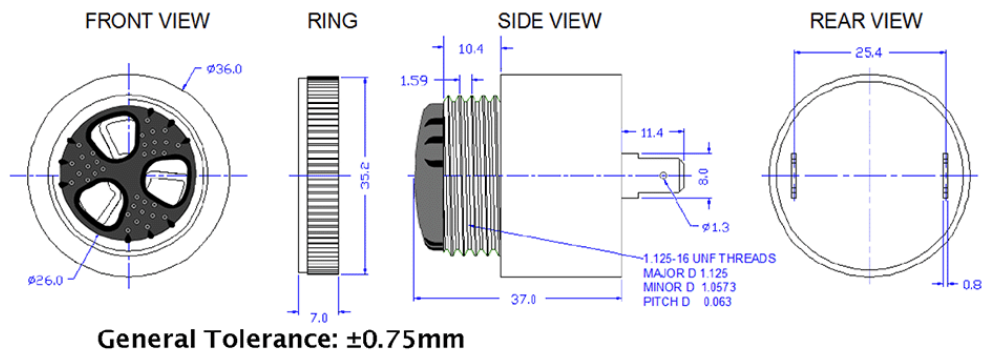
MATERIALS

Housing	Noryl PX9406
Diaphragm	Stainless Steel
Terminal	Electro Tin Plated Brass

TEMPERATURE RANGES

Operating	-30 to +65 °C
Storage	-40 to +105 °C

Weight 37 g



All Measurements are mm unless noted otherwise.

Revision	Description	By	Date
8-2021	Updated IP rating from IP65 to IP68. Added general tolerance and removed inch dimensions from mechanical drawing. Updated storage temp. range from -40°C to 100°C to -40°C to 105°C.	CT	2021-08-11
9-2022	Updated terminal hole diameter from 1.5mm to 1.3mm in the mechanical drawing.	CT	2022-01-10

Warranty: For a period of two (2) years from date of shipping under normal operations conditions. This warranty does not apply to products damaged through misuse, abuse, improper installation, alteration, rework, or attempt to repair. IP Rating ensures functionality after water has been drained fully from device.

The information contained herein is believed to be correct, but no guarantee or warranty, express or implied, with respect to accuracy, completeness or results is extended and no liability is assumed. Challenge Electronics reserves the right to make changes in any specification, data or material contained herein.