

CI37P-14T275-S-1

Former P/N: CEPB330R412-714S30PR

Rev. 1-2019
RoHS3 & REACH
Piezoelectric Indicators



Operating Characteristics

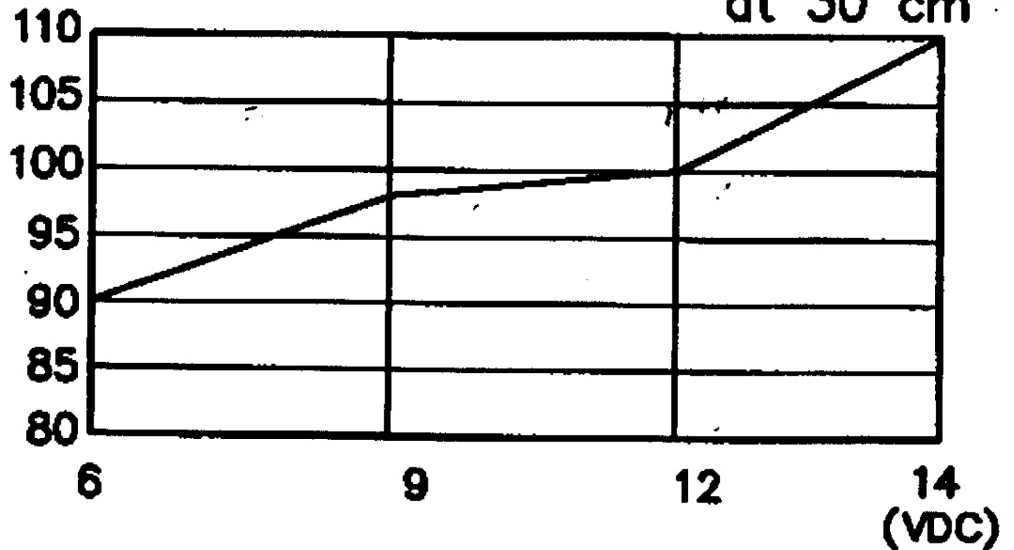
ELECTRICAL

Rated Voltage	12 VDC
Operating Voltage	7 to 14 VDC
Max Current at Vmax	150 mA

ACOUSTIC

Tone Category	Sweep
Description	Increasing and Decreasing Frequency
Min <i>f</i>	2000 Hz
Max <i>f</i>	3500 Hz
Pulse <i>f</i>	4 Hz ± 10 %
Min SPL at Vrated	102 dB
Test Conditions	61 cm

S.P.L.(dB)



Physical Characteristics

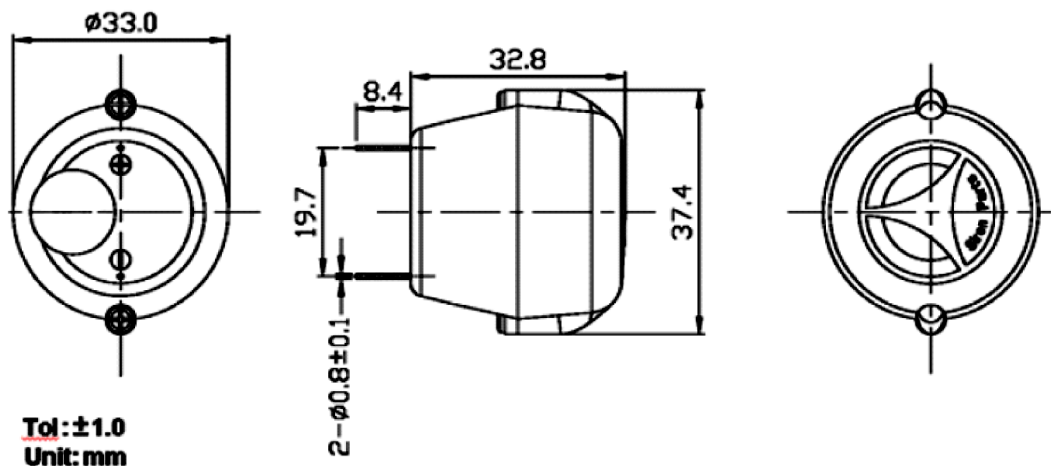
MATERIALS

Housing	ABS
Diaphragm	Brass
PC Pin	Brass

TEMPERATURE RANGES

Operating	-20 to +60 °C
Storage	-40 to +80 °C

Weight 20 g



Revision	Description	By	Date
1-2019	Migrate to new format	YK	2019-06-21

Warranty: For a period of one (1) year from date of shipping under normal operations conditions This warranty does not apply to products damaged through misuse, abuse, improper installation, alteration, rework, or attempt to repair.

The information contained herein is believed to be correct, but no guarantee or warranty, express or implied, with respect to accuracy, completeness or results is extended and no liability is assumed. Challenge Electronics reserves the right to make changes in any specification, data or material contained herein.
©2019 Challenge Electronics, Inc. 20190826153737