

INDICATORS • SPEAKERS • SOUND TRANSDUCERS • ENCLOSURES • MICROPHONES • BATTERY ACCESSORIES

CI41M-16W40-C-2

Former P/N: CEMB260I176-716C400W150R / CEMB260I-716

Rev. 4-2020
RoHS3 & REACH
Mechanical Indicators



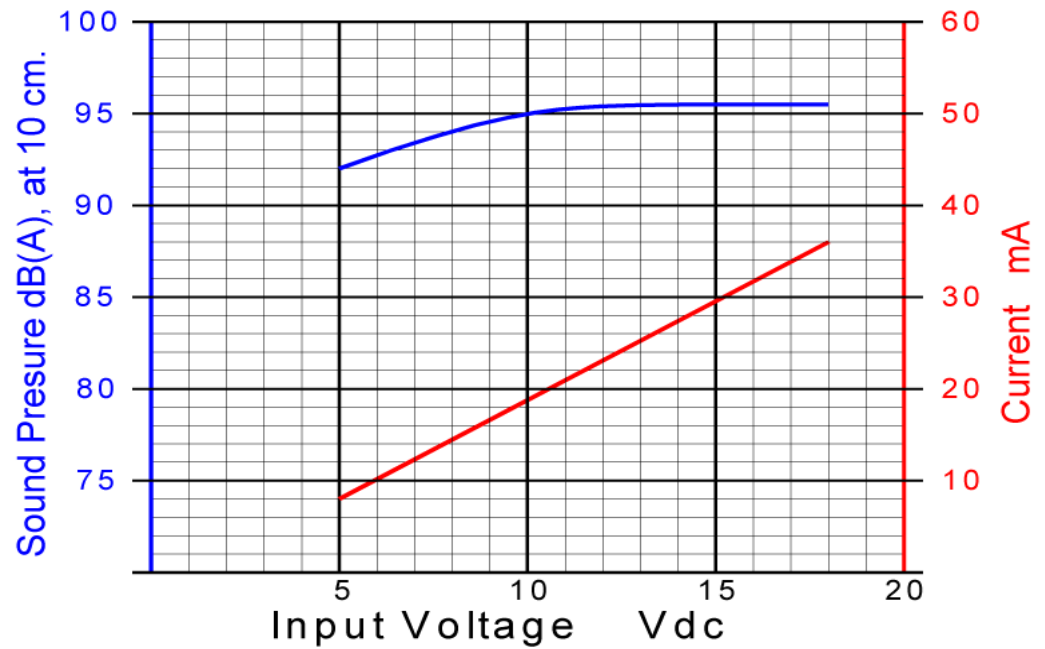
Operating Characteristics

ELECTRICAL

Rated Voltage	12 VDC
Operating Voltage	7 to 16 VDC
Max Current at Vmax	23 mA

ACOUSTIC

Tone Category	Continuous
Description	Steady
Center f	400 \pm 100 Hz
Min SPL at Vrated	95 dB
Test Conditions	10 cm



Physical Characteristics

MATERIALS

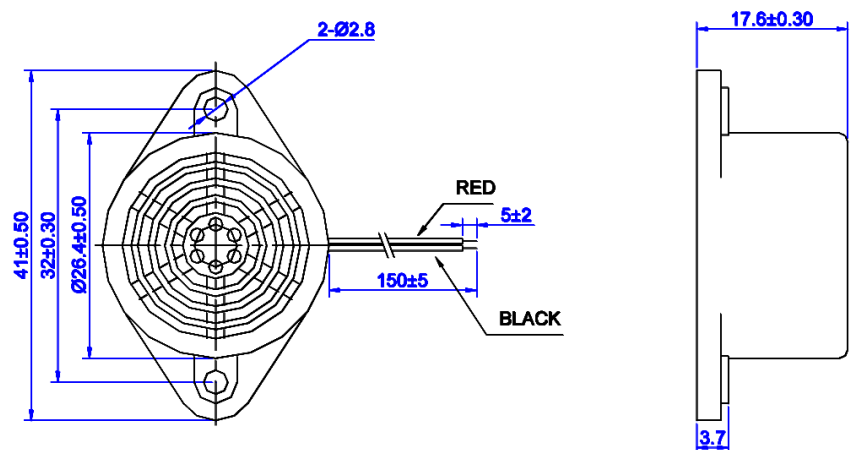
Housing	ABS
Diaphragm	Stainless Steel
Wire	UL 1007, 28 AWG

TEMPERATURE RANGES

Operating	-20 to +60 °C
Storage	-30 to +70 °C

Weight 17 g

Tolerance: ± 0.5 mm



All Measurements are mm unless noted otherwise.

Revision	Description	By	Date
3-2019	Migrate to new format	YK	2019-06-21
4-2020	Added abbreviated former PN. Added general tolerance.	JL	2020-11-05

Warranty: For a period of one (1) year from date of shipping under normal operations conditions This warranty does not apply to products damaged through misuse, abuse, improper installation, alteration, rework, or attempt to repair.

The information contained herein is believed to be correct, but no guarantee or warranty, express or implied, with respect to accuracy, completeness or results is extended and no liability is assumed. Challenge Electronics reserves the right to make changes in any specification, data or material contained herein.