

CI41P-20T280-C-1X

 Rev. 0-2020
 RoHS3 & REACH
 IP67 Front Face
 Piezoelectric Indicators

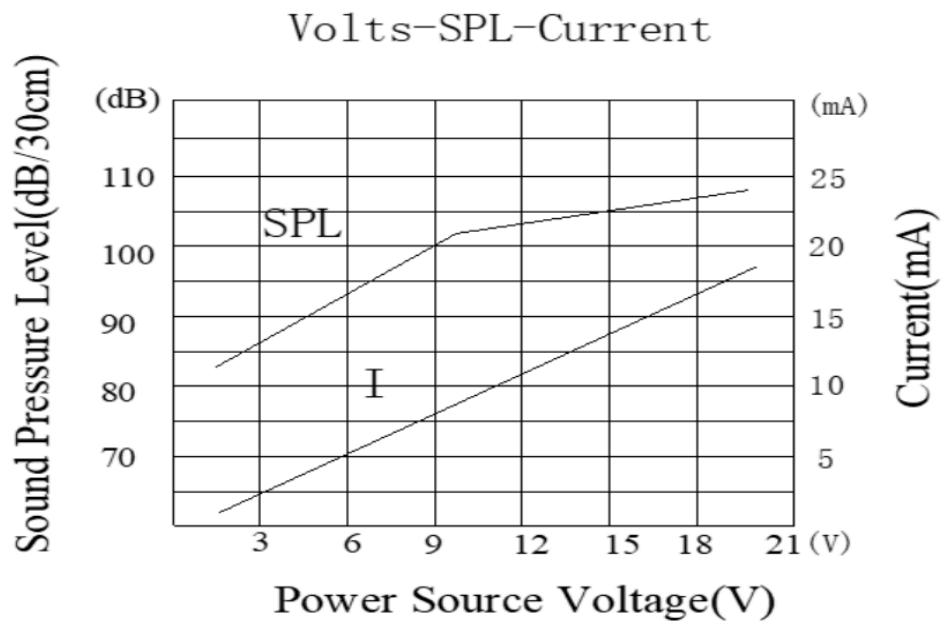

Operating Characteristics

ELECTRICAL

Rated Voltage	12 VDC
Operating Voltage	1.5 to 20 VDC
Max Current at Vmax	40 mA

ACOUSTIC

Tone Category	Continuous
Description	Steady
Center f	2800 \pm 500 Hz
Min SPL at Vrated	100 dB
Test Conditions	30 cm



Physical Characteristics

MATERIALS

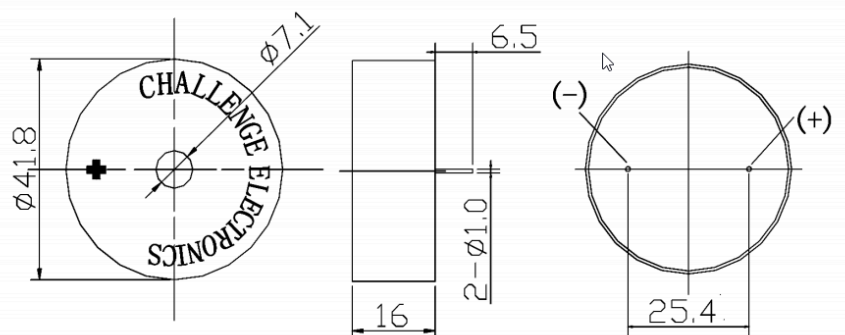
Housing	Black Noryl
Diaphragm	Brass
Through-Hole Pins	Red Copper (DSn)

TEMPERATURE RANGES

Operating	-30 to +70 °C
Storage	-40 to +85 °C

Weight 15 g

Unless otherwise specified, tolerance: ± 0.5 (unit: mm)



Revision	Description	By	Date
0-2020	Original Specification	SP	2020-06-16

Warranty: For a period of one (1) year from date of shipping under normal operations conditions This warranty does not apply to products damaged through misuse, abuse, improper installation, alteration, rework, or attempt to repair.