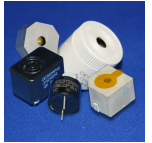


CI44S-15W45-P-1

Rev. 1-2022
RoHS3 & REACH
Speaker Indicators



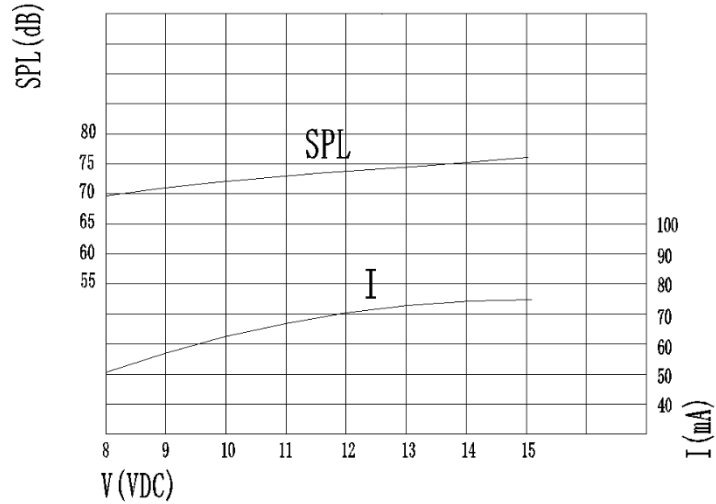
Operating Characteristics

ELECTRICAL

Rated Voltage	10 VDC
Operating Voltage	8 to 15 VDC
Max Current at Vrated	60 mA

ACOUSTIC

Tone Category	Pulsating
Description	Intermittent
Center f	450 Hz \pm 20 %
Pulse f	0.06 Hz
Min SPL at Vrated	65 dB
Test Conditions	100 cm



Physical Characteristics

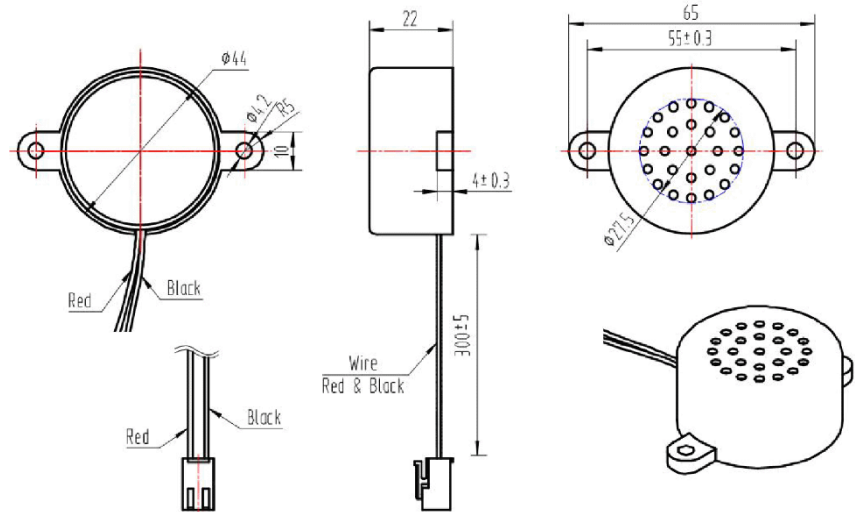
MATERIALS

Housing	Black ABS or PPO
Diaphragm	PET
Wire	UL 1007, 24 AWG
Connector	HK39600-2Y

TEMPERATURE RANGES

Operating	-20 to +55 °C
Storage	-30 to +70 °C

Weight 23 g



General tolerance = ± 0.5 mm and all measurements in mm unless otherwise noted.

Revision	Description	By	Date
0-2022	Original Specification	AL	2022-07-25
1-2022	Updated wire material from "UL1007, 26 AWG" to "UL1007, 24 AWG".	CT	2022-08-30

Warranty: For a period of one (1) year from date of shipping under normal operations conditions. This warranty does not apply to products damaged through misuse, abuse, improper installation, alteration, rework, or attempt to repair.

The information contained herein is believed to be correct, but no guarantee or warranty, express or implied, with respect to accuracy, completeness or results is extended and no liability is assumed. Challenge Electronics reserves the right to make changes in any specification, data or material contained herein.