

## CI45P-40E290-C-1

Rev. 1-2020  
RoHS3 & REACH  
Piezoelectric Indicators



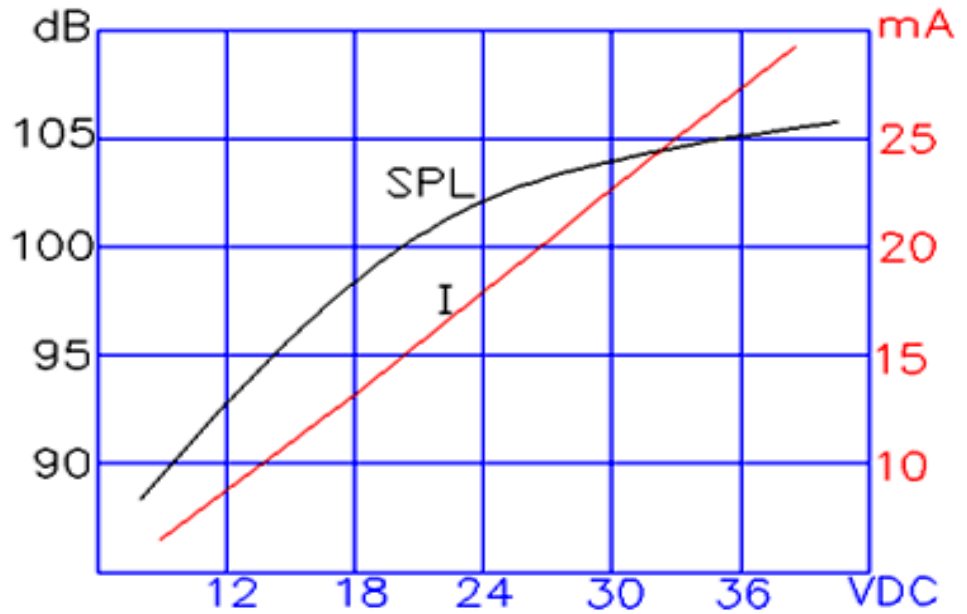
### Operating Characteristics

#### ELECTRICAL

Rated Voltage	36 VDC
Operating Voltage	6 to 40 VDC
Max Current at Vmax	40 mA

#### ACOUSTIC

Tone Category	Continuous
Description	Steady
Center $f$	2900 ± 300 Hz
Min SPL at Vrated	98 dB
Test Conditions	61 cm



### Physical Characteristics

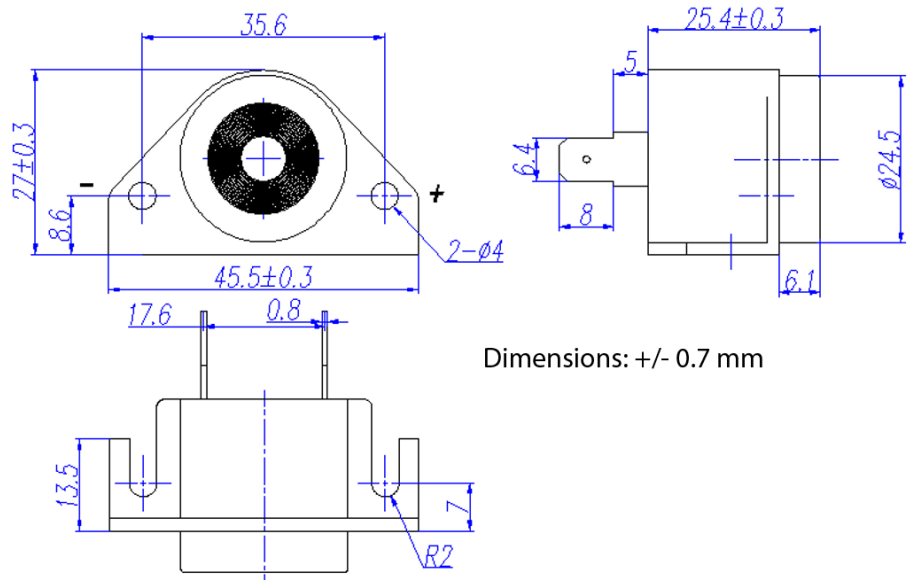
#### MATERIALS

Housing	NORYL
Diaphragm	Stainless Steel Disc
Contact	Brass, Tin-plated

#### TEMPERATURE RANGES

Operating	-20 to +65 °C
Storage	-20 to +70 °C

Weight 17.2 g



All Measurements are mm unless noted otherwise.

Revision	Description	By	Date
0-2019	Initial specification	SP	2019-12-10
1-2020	Update SPL to 98 dB. Added Contact material: tin-plated Brass.	WS	2020-11-02

Warranty: For a period of one (1) year from date of shipping under normal operations conditions This warranty does not apply to products damaged through misuse, abuse, improper installation, alteration, rework, or attempt to repair.

The information contained herein is believed to be correct, but no guarantee or warranty, express or implied, with respect to accuracy, completeness or results is extended and no liability is assumed. Challenge Electronics reserves the right to make changes in any specification, data or material contained herein.