

CI45P-48E21-P-1

Former P/N: CEC-532B

Rev. 4-2019
RoHS3 & REACH
Piezoelectric Indicators



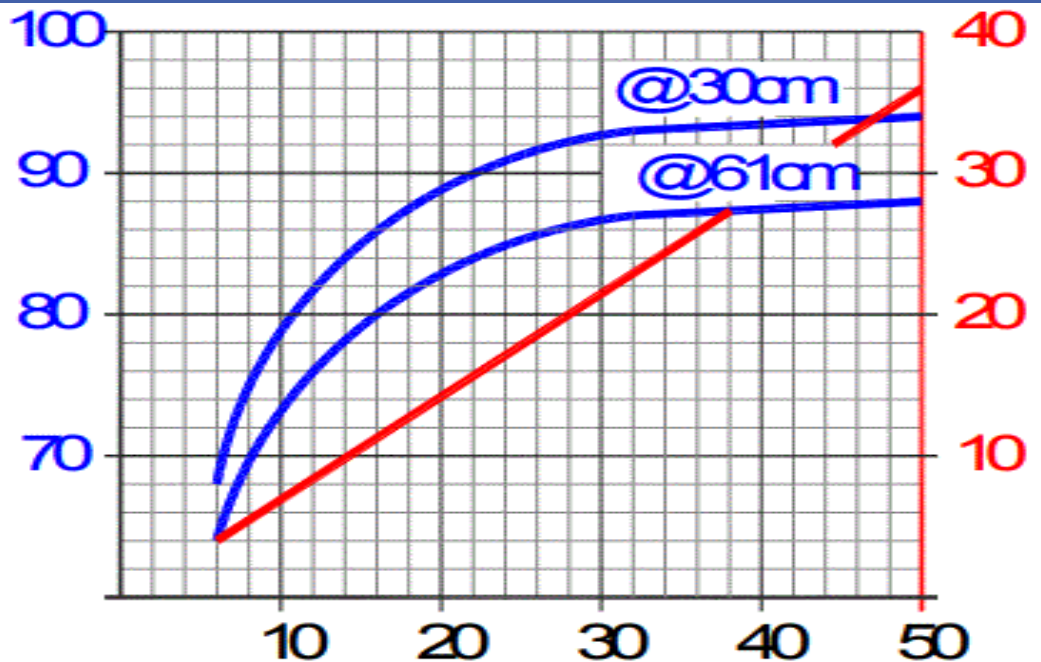
Operating Characteristics

ELECTRICAL

Rated Voltage	36 VDC
Operating Voltage	9 to 48 VDC
Max Current at Vmax	35 mA

ACOUSTIC

Tone Category	Pulsating
Description	Intermittent
Center f	215 Hz \pm 20 %
Pulse f	1 Hz \pm 20 %
Min SPL at Vmin	65 dB
Min SPL at Vmax	81 dB
Test Conditions	61 cm



Physical Characteristics

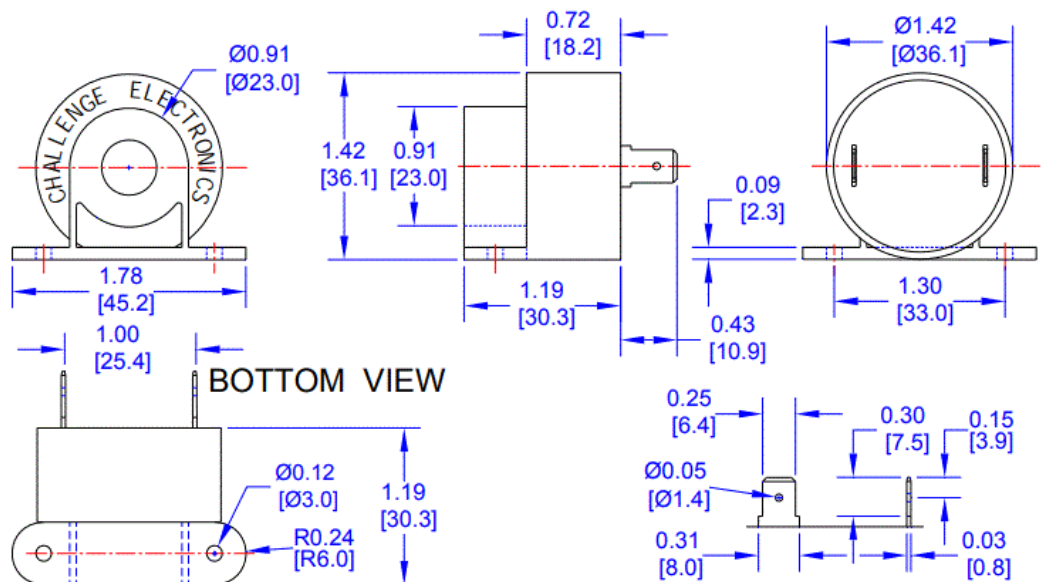
MATERIALS

Housing	Noryl PX9406
Diaphragm	Stainless Steel
Terminal	Electro-Tin Plated Brass

TEMPERATURE RANGES

Operating	-30 to +65 °C
Storage	-40 to +85 °C

Weight	25 g
--------	------



Revision	Description	By	Date
3-2013	Corrected Tone Description		2013-04-06
4-2019	Migrate to new format	YK	2019-06-21

Warranty: For a period of two (2) years from date of shipping under normal operations conditions This warranty does not apply to products damaged through misuse, abuse, improper installation, alteration, rework, or attempt to repair.

The information contained herein is believed to be correct, but no guarantee or warranty, express or implied, with respect to accuracy, completeness or results is extended and no liability is assumed. Challenge Electronics reserves the right to make changes in any specification, data or material contained herein.