

CI51P-20W350-C-1

Former P/N: CEPB514G140-320-C35W100R

Rev. 1-2019
RoHS3 & REACH
Piezoelectric Indicators



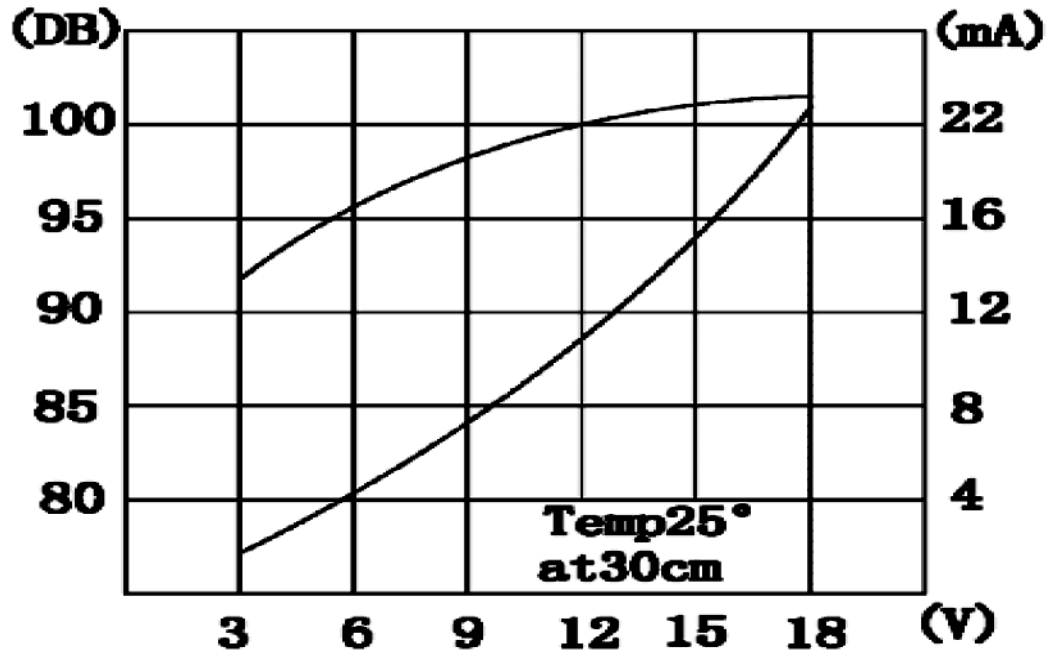
Operating Characteristics

ELECTRICAL

Rated Voltage	9 VDC
Operating Voltage	3 to 20 VDC
Max Current at Vmax	8 mA

ACOUSTIC

Tone Category	Continuous
Description	Steady
Center f	3500 \pm 500 Hz
Min SPL at Vrated	97 dB
Test Conditions	30 cm



Physical Characteristics

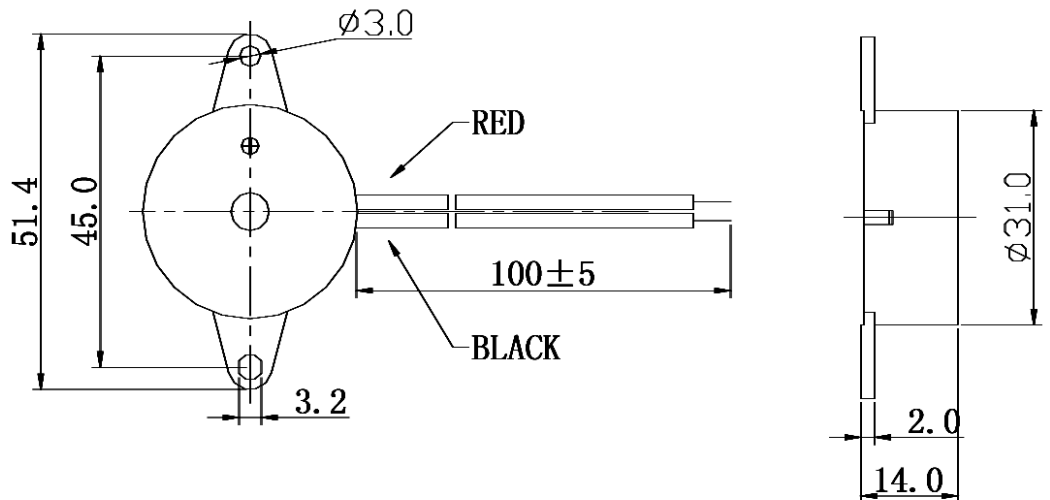
MATERIALS

Housing	ABS
Diaphragm	Brass
Wire	UL 1095, 28 AWG

TEMPERATURE RANGES

Operating	-20 to +60 °C
Storage	-30 to +70 °C

Weight 7.3 g



Revision	Description	By	Date
1-2019	Migrate to new format	YK	2019-06-21

Warranty: For a period of one (1) year from date of shipping under normal operations conditions This warranty does not apply to products damaged through misuse, abuse, improper installation, alteration, rework, or attempt to repair.