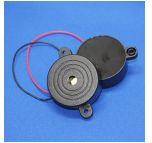


CI60P-24W280-C-1

Former P/N: CEPB418160-324C28WR

Rev. 3-2023
RoHS3 & REACH
Piezoelectric Indicators



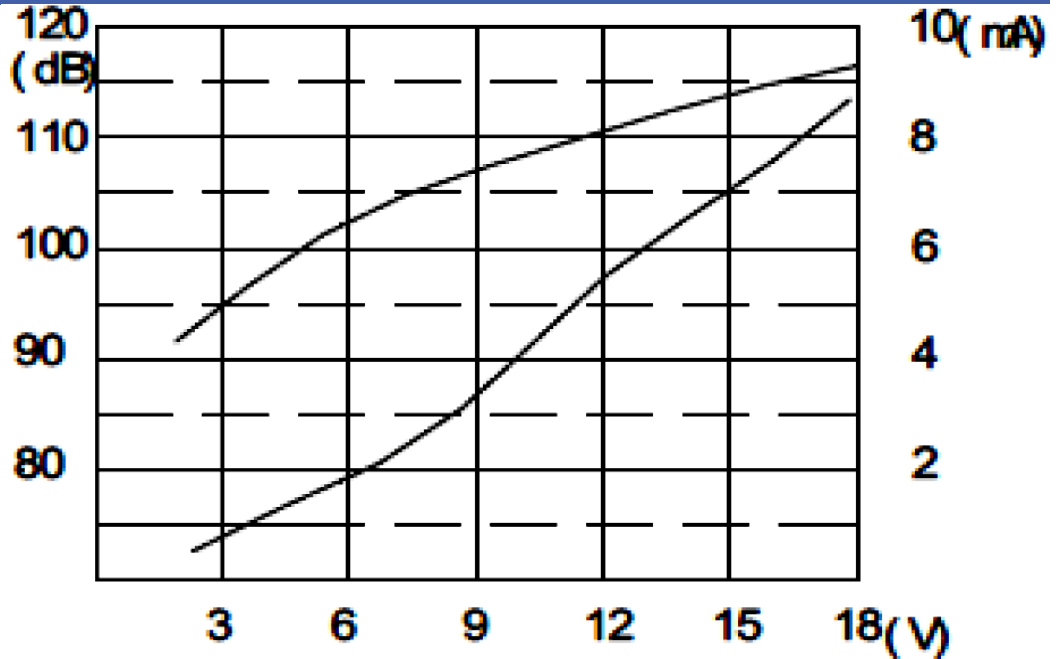
Operating Characteristics

ELECTRICAL

Rated Voltage	12 VDC
Operating Voltage	3 to 24 VDC
Max Current at Vrated	18 mA

ACOUSTIC

Tone Category	Continuous
Description	Steady
Center f	2800 \pm 300 Hz
Min SPL at Vrated	100 dB
Test Conditions	10 cm



Physical Characteristics

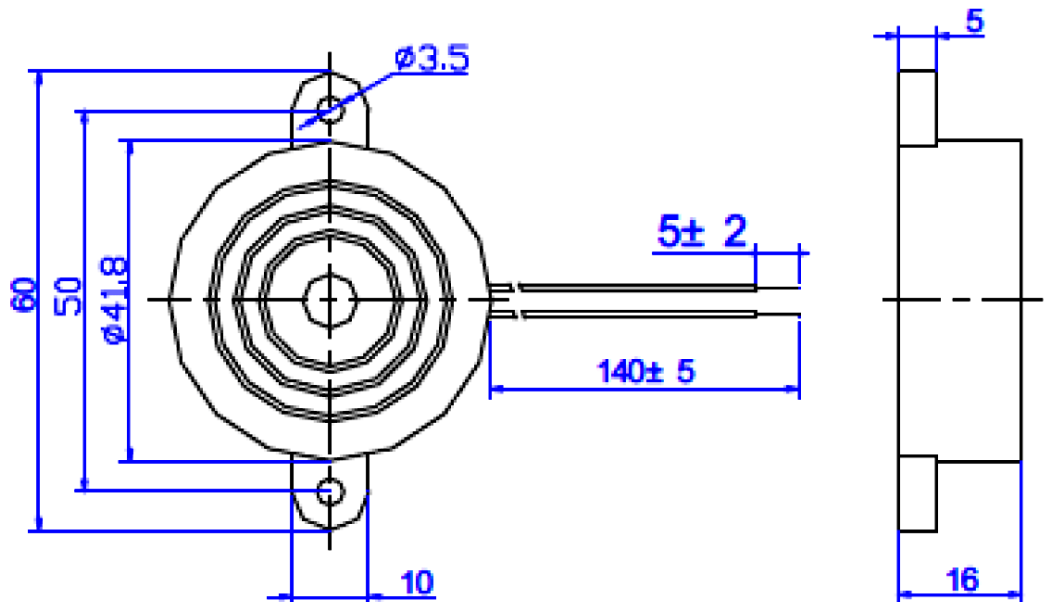
MATERIALS

Housing	ABS
Diaphragm	Brass
Wire	UL 1007, 24 AWG, Copper

TEMPERATURE RANGES

Operating	-20 to +60 °C
Storage	-30 to +70 °C

Weight 15 g



All measurements in mm unless otherwise noted.

Revision	Description	By	Date
2-2019	Migrate to new format	YK	2019-06-21
3-2023	Added part image.	SK	2023-05-08

Warranty: For a period of one (1) year from date of shipping under normal operations conditions. This warranty does not apply to products damaged through misuse, abuse, improper installation, alteration, rework, or attempt to repair.

The information contained herein is believed to be correct, but no guarantee or warranty, express or implied, with respect to accuracy, completeness or results is extended and no liability is assumed. Challenge Electronics reserves the right to make changes in any specification, data or material contained herein.