

CI71P-16W300-S-1

Former P/N: CE-BUS616DPW300C

Rev. 2-2019
RoHS3 & REACH
Piezoelectric Indicators



Operating Characteristics

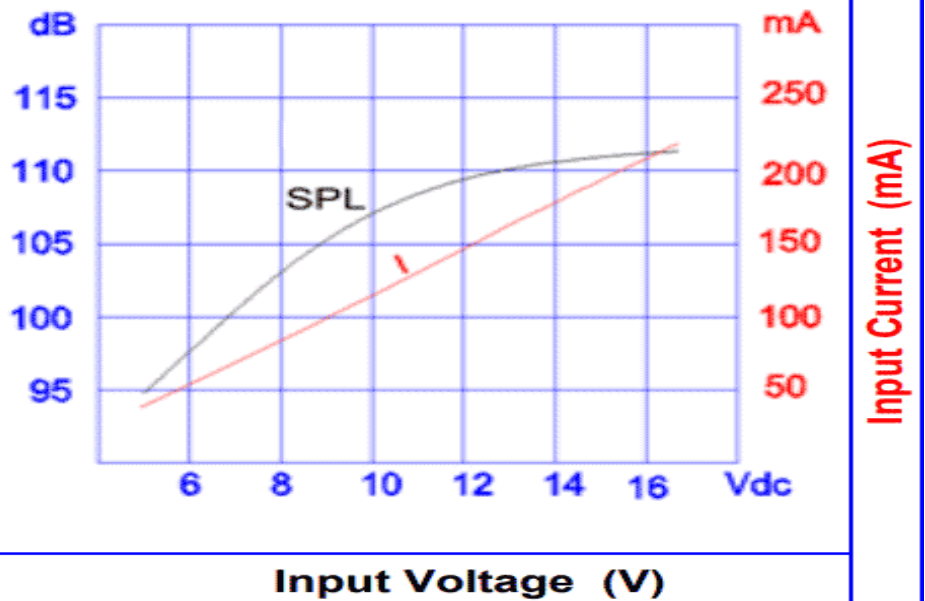
ELECTRICAL

| | |
|---------------------|-------------|
| Rated Voltage | 12 VDC |
| Operating Voltage | 6 to 16 VDC |
| Max Current at Vmax | 230 mA |

ACOUSTIC

| | |
|-------------------|-------------------------------------|
| Tone Category | Sweep |
| Description | Increasing and Decreasing Frequency |
| Min <i>f</i> | 2000 ± 600 Hz |
| Max <i>f</i> | 4000 ± 600 Hz |
| Pulse <i>f</i> | 6 Hz ± 10 % |
| Min SPL at Vrated | 99 dB |
| Test Conditions | 61 cm |

Typical Output Sound Level ± 4 dB(A), with Type 2 Meter



Physical Characteristics

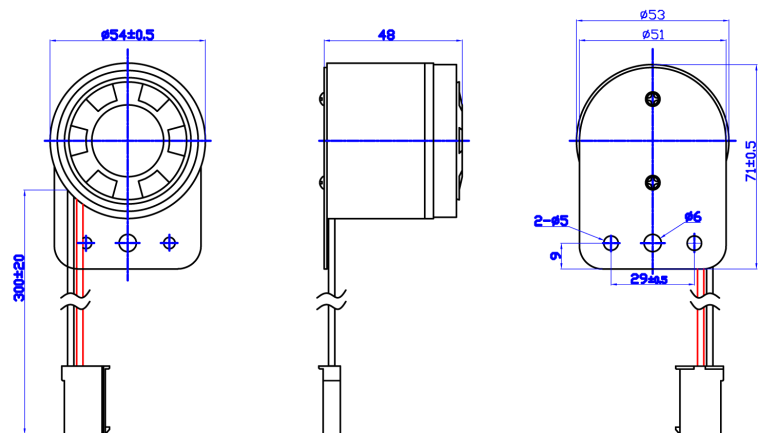
MATERIALS

| | |
|-----------|---------------|
| Housing | ABS 757 |
| Diaphragm | Brass |
| Wire | 18 AWG, GXL |
| Connector | TYCO 172234-1 |

TEMPERATURE RANGES

| | |
|-----------|---------------|
| Operating | -20 to +60 °C |
| Storage | -30 to +70 °C |

Weight 80 g



| Revision | Description | By | Date |
|----------|--|----|------------|
| 2-2019 | Migrate to new format. Added length 71 +/- 0.5 mm to mechanical drawing. | JK | 2019-06-21 |

Warranty: For a period of one (1) year from date of shipping under normal operations conditions This warranty does not apply to products damaged through misuse, abuse, improper installation, alteration, rework, or attempt to repair.