

INDICATORS • SPEAKERS • SOUND TRANSDUCERS • ENCLOSURES • MICROPHONES • BATTERY ACCESSORIES

## CM09M-10P36-BA-1

Former P/N: CEM-OB9750C-363D-L01000-00-1

 Rev. 1-2019  
 RoHS3 & REACH  
 Omni Directional Microphones

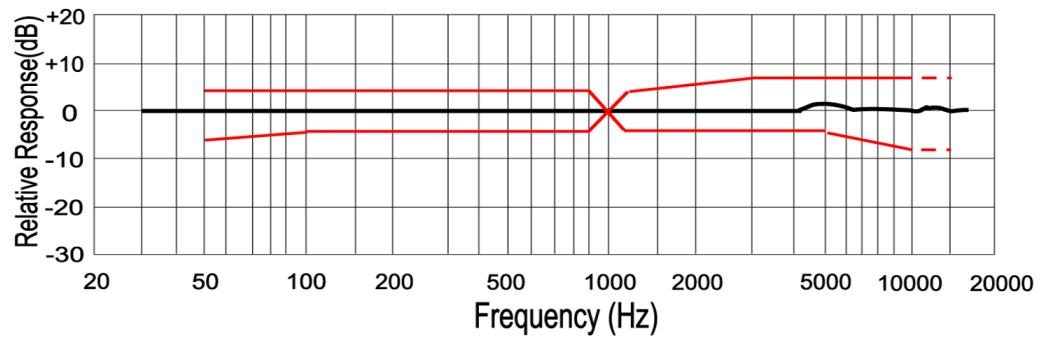

### Operating Characteristics

#### ELECTRICAL

Type	Analog
Rated Voltage	1.5 VDC
Operating Voltage	1 to 10 VDC
Capacitance	N/A
Max Current	0.3 mA
Impedance	2000 $\Omega$ 1000 Hz

#### ACOUSTIC

Technology	Back Electret
Directionality	Omni Directional
Sensitivity	36 $\pm$ 3 dB
Min S/N	58 dB



### Physical Characteristics

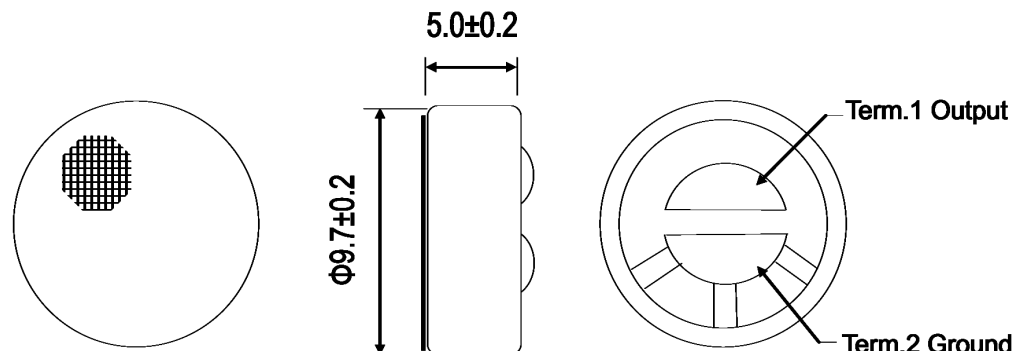
#### MATERIAL

Housing	Al-Mg Alloy
Solder Pad	Copper Foil

#### TEMPERATURE RANGES

Operating	-40 to +75 $^{\circ}$ C
Storage	-40 to +75 $^{\circ}$ C

Weight 0.7 g



Revision	Description	By	Date
1-2019	Migrate to new format	CF	2019-06-24

Warranty: For a period of one (1) year from date of shipping under normal operations conditions This warranty does not apply to products damaged through misuse, abuse, improper installation, alteration, rework, or attempt to repair.

The information contained herein is believed to be correct, but no guarantee or warranty, express or implied, with respect to accuracy, completeness or results is extended and no liability is assumed. Challenge Electronics reserves the right to make changes in any specification, data or material contained herein.  
 ©2019 Challenge Electronics, Inc. 20190826151942