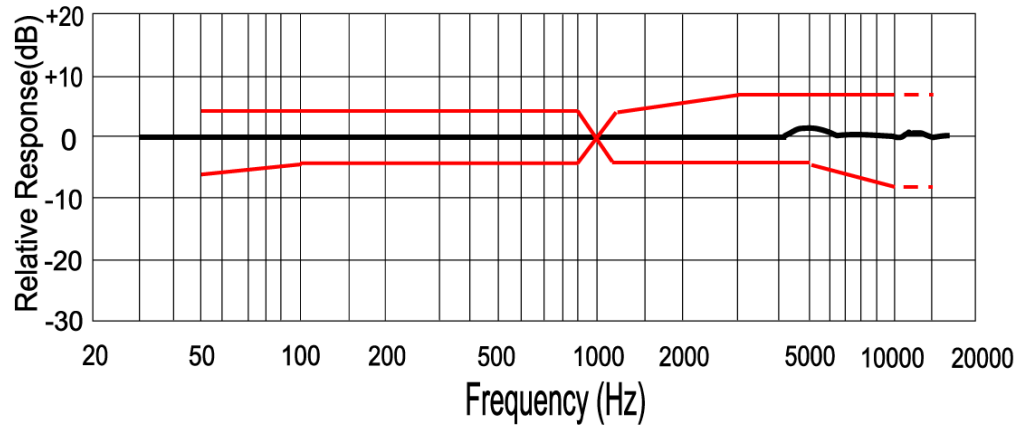


# CM04M-10S42-BA-1

 Rev. 2-2019  
 RoHS3 & REACH  
 Omni Directional Microphones

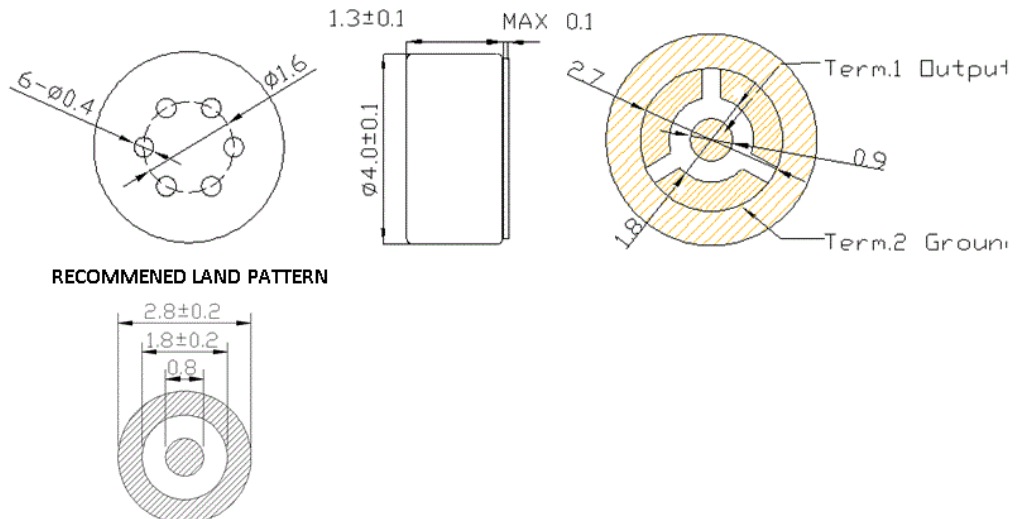

## Operating Characteristics

ELECTRICAL	
Type	Analog
Rated Voltage	2 VDC
Operating Voltage	1.5 to 10 VDC
Capacitance	10+33 pF
Max Current	0.1 mA
Impedance	2200 Ω
ACOUSTIC @ 1000 Hz	
Technology	Back Electret
Directionality	Omni Directional
Sensitivity	-42 ± 3 dBV/Pa
Min S/N	58 dB



## Physical Characteristics

MATERIAL	
Housing	
Housing	Copper
TEMPERATURE RANGES	
Operating	-40 to +85 °C
Storage	-40 to +85 °C
Weight	0.1 g



Revision	Description	By	Date
1-2019	Migrate to new format	JK	2019-08-14
2-2019	Corrected sensitivity from 42 dB to -42 dBV/Pa.	JL	2019-12-18

Warranty: For a period of one (1) year from date of shipping under normal operations conditions This warranty does not apply to products damaged through misuse, abuse, improper installation, alteration, rework, or attempt to repair.

The information contained herein is believed to be correct, but no guarantee or warranty, express or implied, with respect to accuracy, completeness or results is extended and no liability is assumed. Challenge Electronics reserves the right to make changes in any specification, data or material contained herein.