

CM04U-05P40-BA-1

 Rev. 1-2019
 RoHS3 & REACH
 Uni Directional Microphones


Operating Characteristics

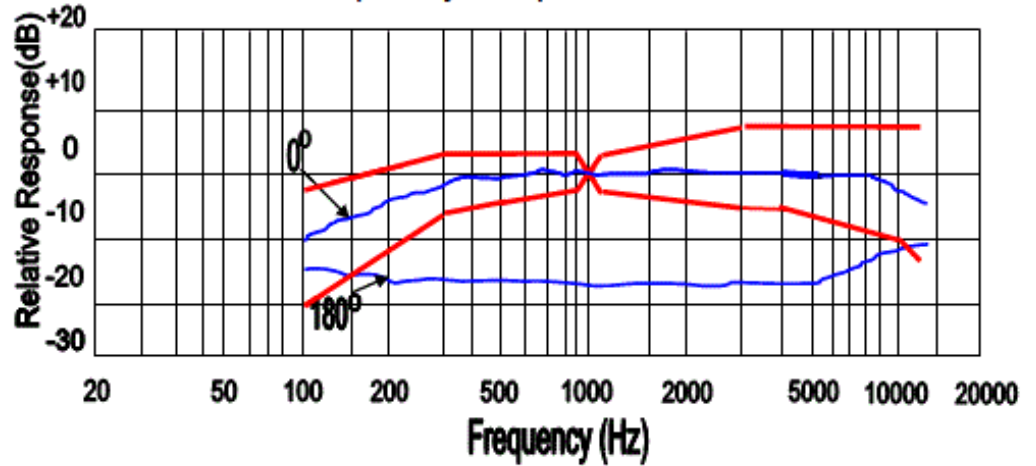
ELECTRICAL

| | |
|-------------------|--------------|
| Type | Analog |
| Rated Voltage | 3 VDC |
| Operating Voltage | 1.4 to 5 VDC |
| Capacitance | 10000 pF |
| Max Current | 0.25 mA |
| Impedance | 2200 Ω |

ACOUSTIC @ 1000 Hz

| | |
|----------------|-----------------|
| Technology | Back Electret |
| Directionality | Uni Directional |
| Sensitivity | -40 ± 2 dBV/Pa |
| Min S/N | 55 dB |

Frequency Response



Physical Characteristics

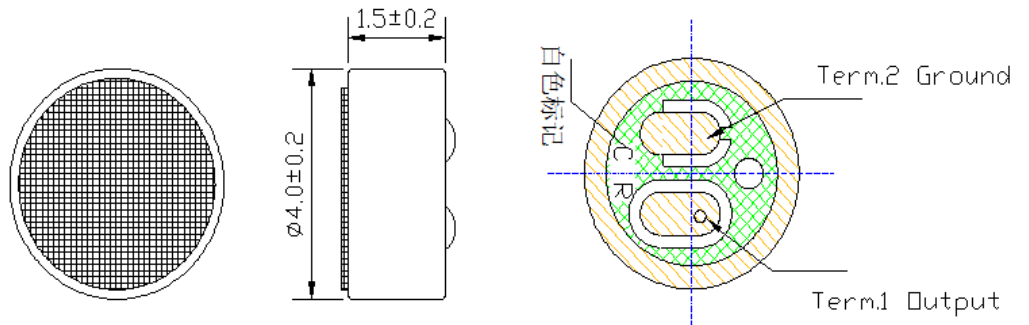
MATERIAL

| | |
|------------|-------------|
| Housing | Al-Mg Alloy |
| Solder Pad | Tin |

TEMPERATURE RANGES

| | |
|-----------|---------------|
| Operating | -40 to +85 °C |
| Storage | -40 to +85 °C |

Weight 0.1 g



| Revision | Description | By | Date |
|----------|--|----|------------|
| 0-2019 | Initial Specification Sheet | CF | 2019-06-18 |
| 1-2019 | Corrected sensitivity from -40 dB to -40 dBV/Pa. | JL | 2019-12-18 |

Warranty: For a period of one (1) year from date of shipping under normal operations conditions This warranty does not apply to products damaged through misuse, abuse, improper installation, alteration, rework, or attempt to repair.

The information contained herein is believed to be correct, but no guarantee or warranty, express or implied, with respect to accuracy, completeness or results is extended and no liability is assumed. Challenge Electronics reserves the right to make changes in any specification, data or material contained herein.

©2020 Challenge Electronics, Inc. Pub. 20200430154744