

CM06N-05P42-BA-1

 Rev. 1-2019
 RoHS3 & REACH
 Noise Cancelling Microphones

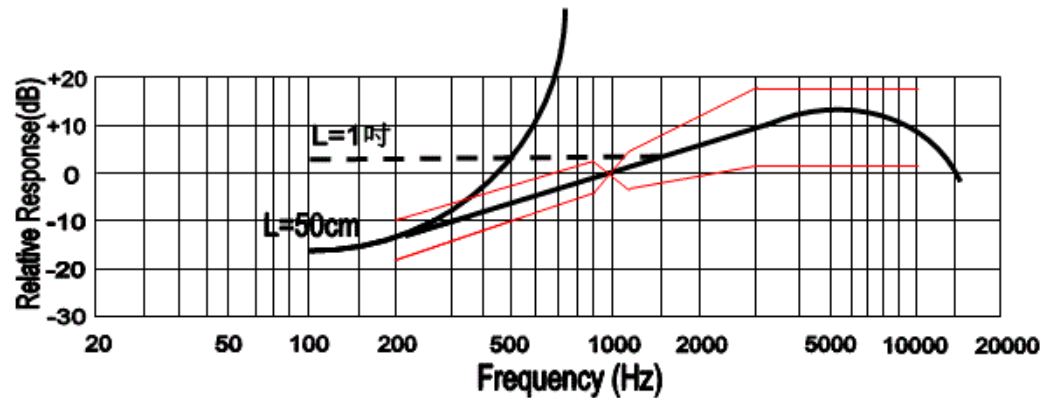

Operating Characteristics

ELECTRICAL

Type	Analog
Rated Voltage	2 VDC
Operating Voltage	1 to 5 VDC
Capacitance	N/A
Max Current	0.5 mA
Impedance	2200 Ω

ACOUSTIC @ 1000 Hz

Technology	Back Electret
Directionality	Noise Cancelling
Sensitivity	-42 ± 3 dBV/Pa
Min S/N	50 dB



Physical Characteristics

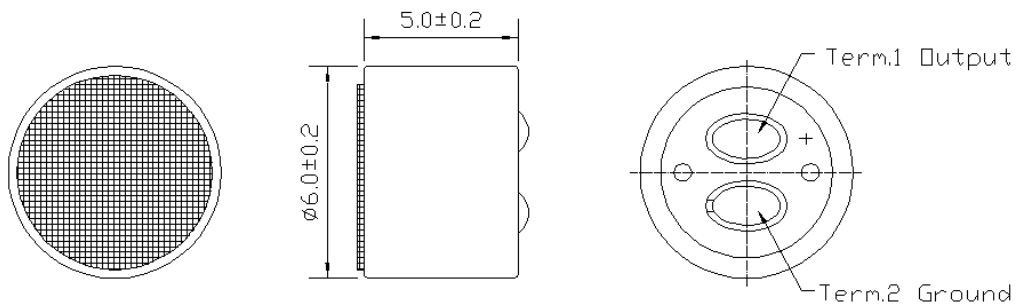
MATERIAL

Housing	Al-Mg alloy
Solder Pad	Tin

TEMPERATURE RANGES

Operating	-40 to +85 °C
Storage	-40 to +85 °C

Weight 0.3 g



Revision	Description	By	Date
0-2019	Initial Specification Sheet	CF	2019-06-18
1-2019	Corrected sensitivity from 42 dB to -42 dBV/Pa.	JL	2019-12-18

Warranty: For a period of one (1) year from date of shipping under normal operations conditions This warranty does not apply to products damaged through misuse, abuse, improper installation, alteration, rework, or attempt to repair.

The information contained herein is believed to be correct, but no guarantee or warranty, express or implied, with respect to accuracy, completeness or results is extended and no liability is assumed. Challenge Electronics reserves the right to make changes in any specification, data or material contained herein.