

INDICATORS • SPEAKERS • SOUND TRANSDUCERS • ENCLOSURES • MICROPHONES • BATTERY ACCESSORIES

CM09M-10T44-FA-1

Former P/N: CEM-C9745JAD442P2.54R

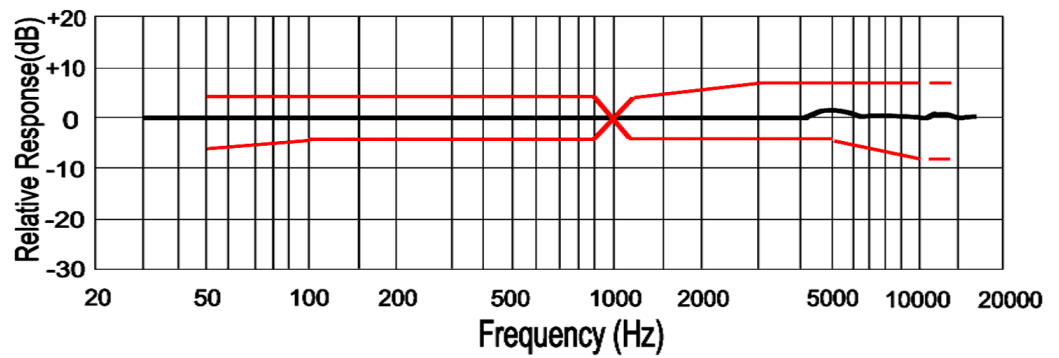
Rev. 4-2019
RoHS3 & REACH
Omni Directional Microphones



Operating Characteristics

ELECTRICAL

Type	Analog
Rated Voltage	1.5 VDC
Operating Voltage	1.0 to 10.0 VDC
Capacitance	N/A
Max Current	0.5 mA
Impedance	2200 Ω 1000 Hz



ACOUSTIC

Technology	Foil Electret
Directionality	Omni Directional
Sensitivity	44 ± 2 dB
Min S/N	58 dB

Physical Characteristics

MATERIAL

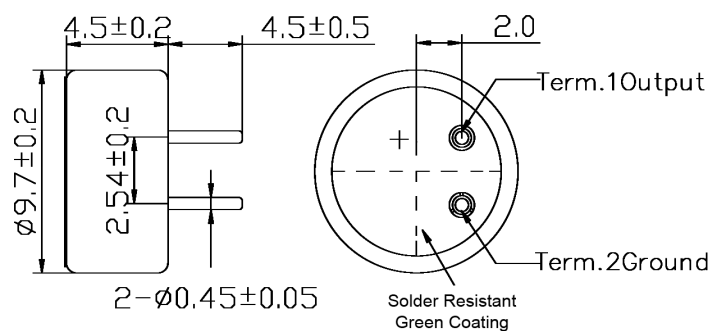
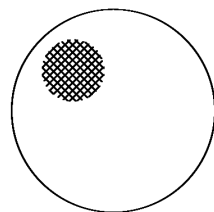
Housing	Al-Mg
PC Pin	Copper

TEMPERATURE RANGES

Operating	-40 to +85 °C
Storage	-40 to +75 °C

Weight 0.7 g

Unit: mm



Revision	Description	By	Date
4-2019	Migrate to new format. Updated operating temperature from -20 - 60°C to -40 - 85°C and mechanical drawing with new pad layout.	JL	2019-02-22

Warranty: For a period of one (1) year from date of shipping under normal operations conditions This warranty does not apply to products damaged through misuse, abuse, improper installation, alteration, rework, or attempt to repair.