

## CM2OS-0338-A1

Rev. 1-2018  
RoHS3 & REACH  
Omni Directional Microphones



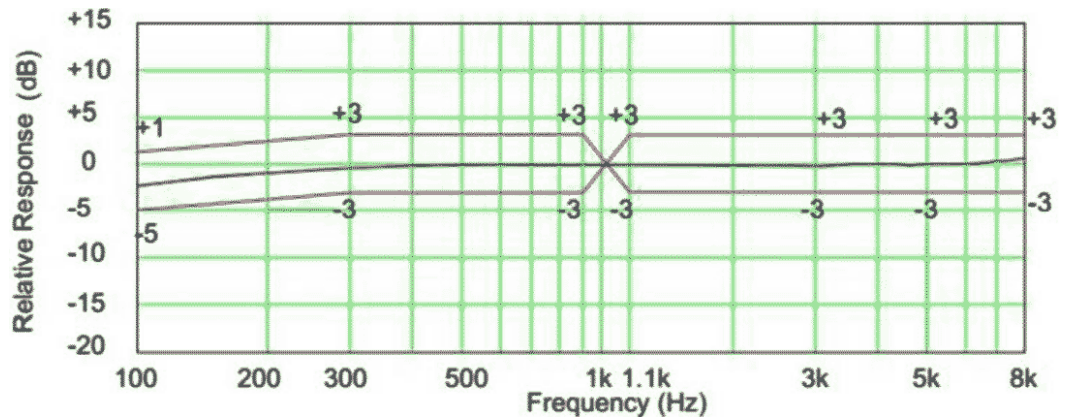
### Operating Characteristics

#### ELECTRICAL

Rated Voltage	2 VDC
Operating Voltage	1.5 to 3.6 VDC
Capacitance	50+50 pF
Max Current	0.15 mA
Impedance	400 Ω

#### ACOUSTIC

Technology	MEMS
Type	Analog
Directionality	Omni Directional
Sensitivity	38 ± 1 dB
Min S/N	60 dB

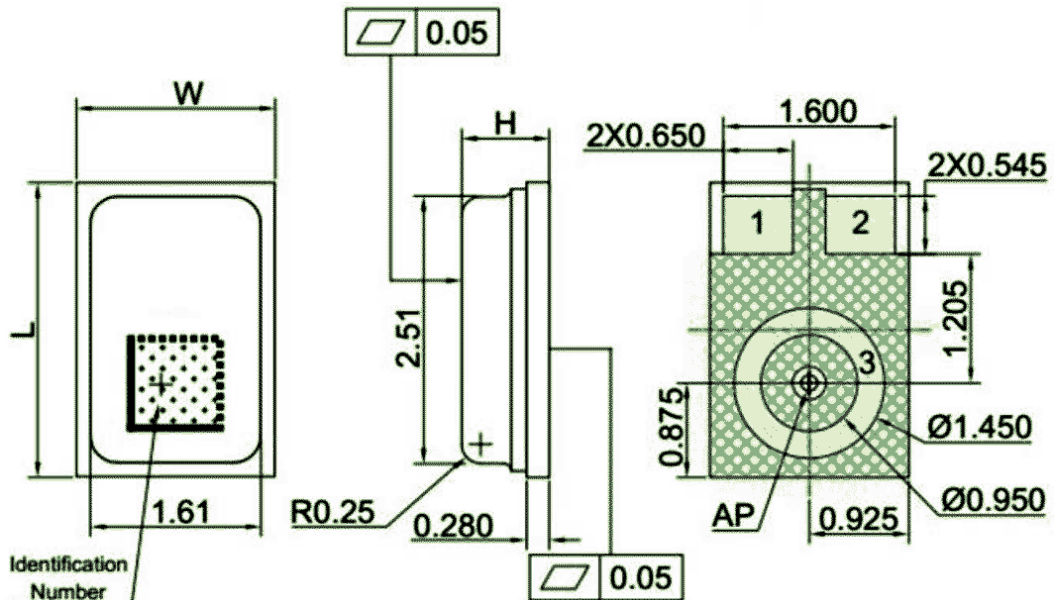


### Physical Characteristics

#### TEMPERATURE RANGES

Operating	-40 to +70 °C
Storage	-40 to +100 °C

Weight	0.02 g
Termination	Surface Mount



Revision	Description	By	Date
0-2018	Initial specification sheet	JL	2018-06-20
1-2018	Migrate to new format	JK	2018-08-14

Warranty: For a period of one (1) year from date of shipping under normal operations conditions This warranty does not apply to products damaged through misuse, abuse, improper installation, alteration, rework, or attempt to repair.

The information contained herein is believed to be correct, but no guarantee or warranty, express or implied, with respect to accuracy, completeness or results is extended and no liability is assumed. Challenge Electronics reserves the right to make changes in any specification, data or material contained herein.