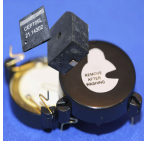


INDICATORS • SPEAKERS • SOUND TRANSDUCERS • ENCLOSURES • MICROPHONES • BATTERY ACCESSORIES

## CT12E-05S270-1

Former P/N: CEET090A045-16-205-27MR

Rev. 1-2019  
RoHS3 & REACH  
Electromagnetic Sound Transducers



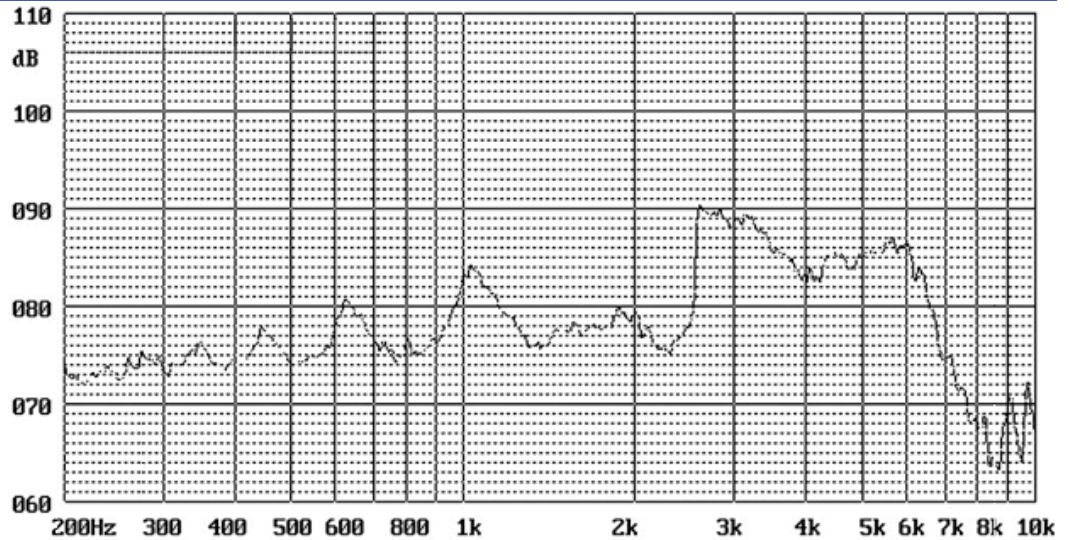
### Operating Characteristics

#### ELECTRICAL

Rated Voltage	3.0 Vo-p
Operating Voltage	2.0 to 5.0 Vo-p
Coil Resistance	16 ± 3 Ω
Max Current at V Rated	80 mA

#### ACOUSTIC

Min SPL at V Rated	85 dB
Test Conditions	10 cm
$f_o$	2700 ± 50 Hz



### Physical Characteristics

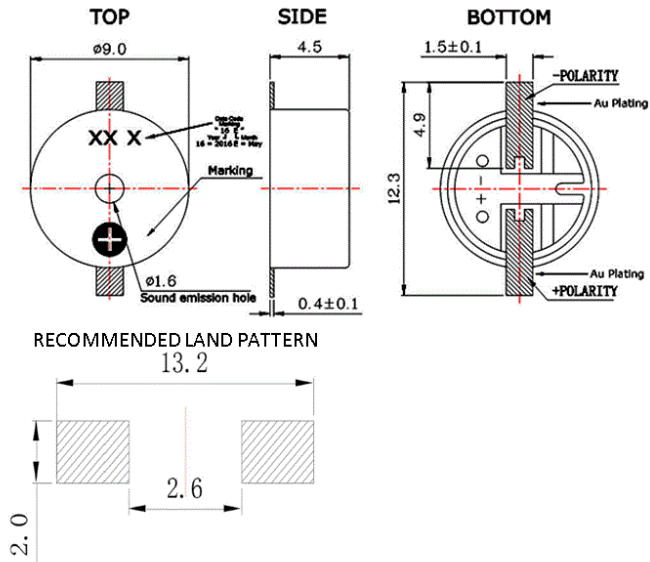
#### MATERIAL

Housing	Plastic, LCP Vectra E130i
Diaphragm	Nickel Alloy
Solder Pad	Copper and Tin

#### TEMPERATURE RANGES

Operating	-40 to +85 °C
Storage	-40 to +85 °C

Weight	0.8 g
--------	-------



Revision	Description	By	Date
0-2016	Initial Specification Sheet	WS	2016-06-13
1-2019	Migrate to new format	JL	2019-06-21

Warranty: For a period of one (1) year from date of shipping under normal operations conditions This warranty does not apply to products damaged through misuse, abuse, improper installation, alteration, rework, or attempt to repair.

The information contained herein is believed to be correct, but no guarantee or warranty, express or implied, with respect to accuracy, completeness or results is extended and no liability is assumed. Challenge Electronics reserves the right to make changes in any specification, data or material contained herein.