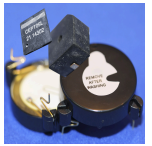


INDICATORS • SPEAKERS • SOUND TRANSDUCERS • ENCLOSURES • MICROPHONES • BATTERY ACCESSORIES

## CT25E-07T150-1

Former P/N: CEMT250B125-5C15PLR

Rev. 2-2019  
RoHS3 & REACH  
Electromagnetic Sound Transducers



### Operating Characteristics

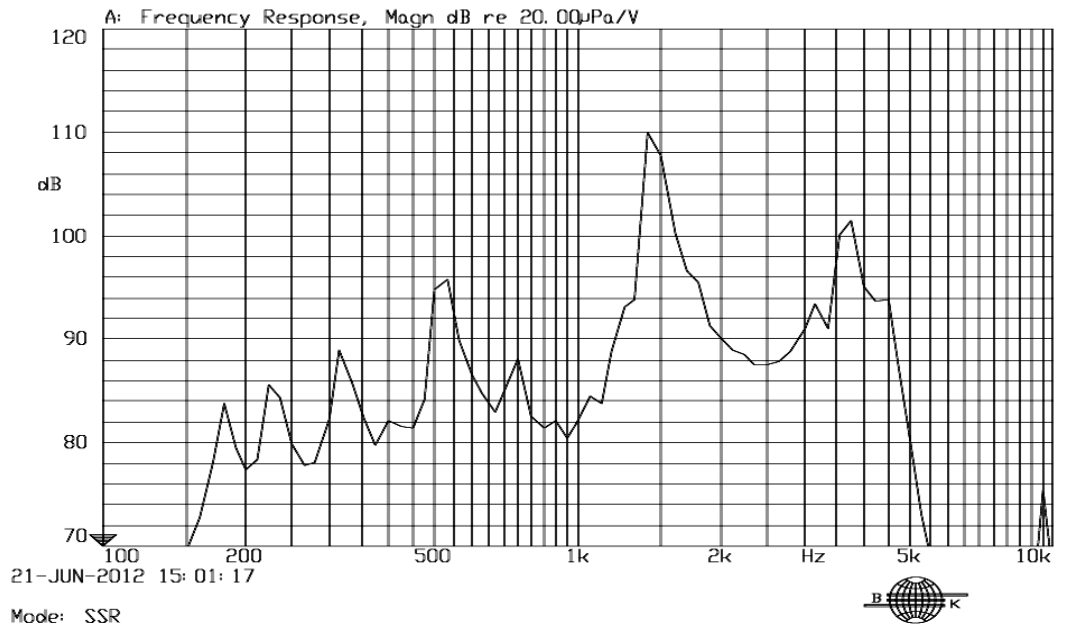
X: 100.00Hz \*Y: 56.90dB ZA: Live Curve SSR T. Ha.

#### ELECTRICAL

Rated Voltage	5.0 Vo-p
Operating Voltage	3.0 to 7.0 Vo-p
Coil Resistance	30 ± 4 Ω
Max Current at V Rated	80 mA

#### ACOUSTIC

Min SPL at V Rated	104 dB
Test Conditions	10 cm
f <sub>o</sub>	1500 ± 15 Hz



### Physical Characteristics

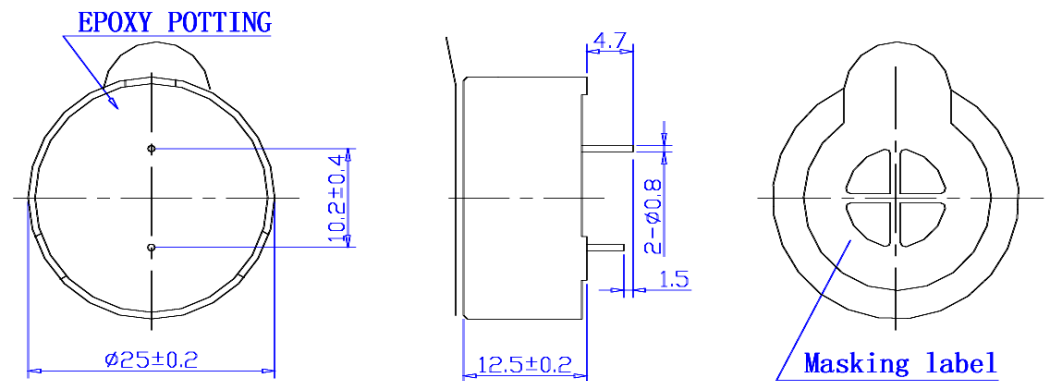
#### MATERIAL

Housing	Plastic
Diaphragm	Nickel Alloy
PC Pin	Tin Plated Brass

#### TEMPERATURE RANGES

Operating	-40 to +85 °C
Storage	-40 to +85 °C

Weight	10 g
--------	------



Revision	Description	By	Date
2-2019	Migrate to new format	YK	2019-06-21

Warranty: For a period of one (1) year from date of shipping under normal operations conditions This warranty does not apply to products damaged through misuse, abuse, improper installation, alteration, rework, or attempt to repair.