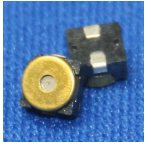


CT03E-04S400-1

Rev. 3-2024
RoHS3 & REACH
Electromagnetic Sound Transducers



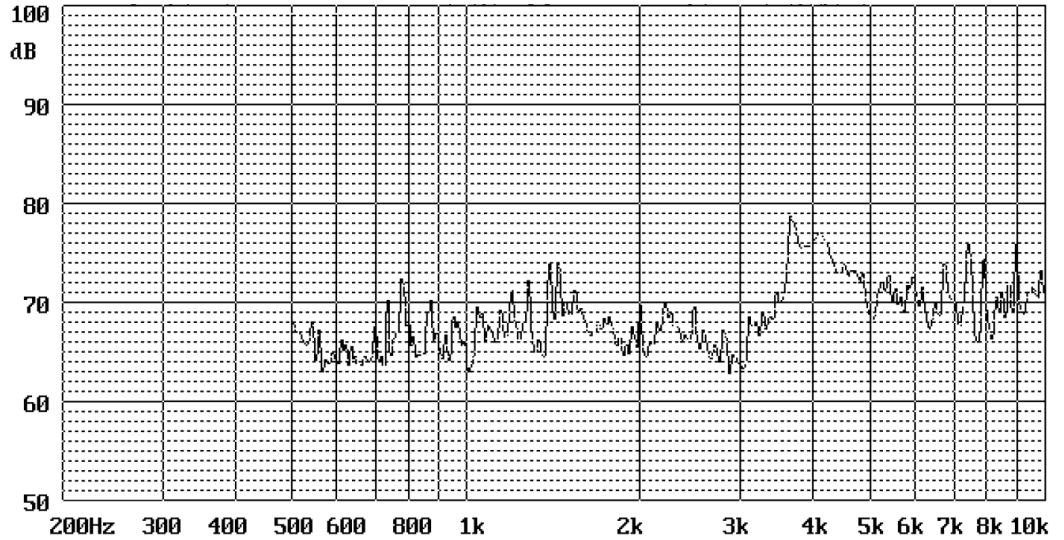
Operating Characteristics

ELECTRICAL

Rated Voltage	3 Vo-p
Operating Voltage	2 to 4 Vo-p
Coil Resistance	12 ± 3 Ω
Max Current at V Rated	120 mA

ACOUSTIC

Min SPL at V Rated	72 dB
Test Conditions	10 cm
f _o	4000 Hz



Physical Characteristics

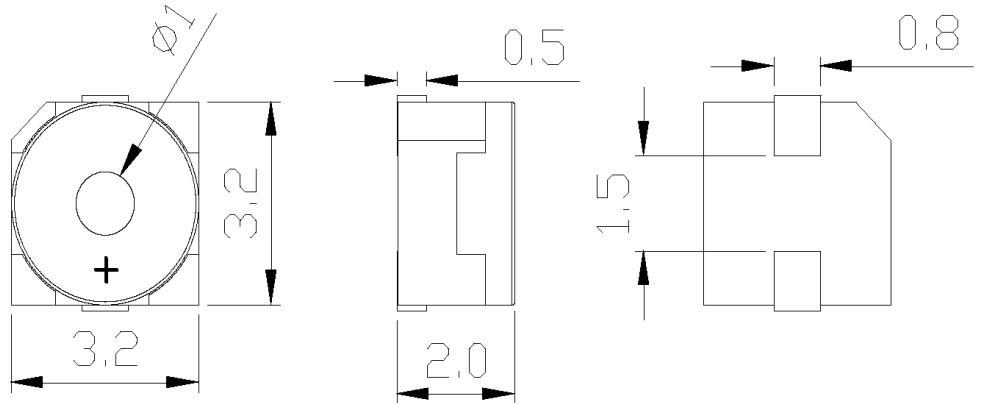
MATERIAL

Housing	LCP (black)
Diaphragm	Nickel Alloy
Solder Pad	Tin-plated Brass

TEMPERATURE RANGES

Operating	-20 to +70 °C
Storage	-30 to +80 °C

Weight 0.1 g



General tolerance = ±0.3 mm and all measurements in mm unless otherwise noted.

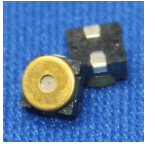
Revision	Description	By	Date
2-2023	Added part image.	SK	2023-05-08
3-2024	Reformatted.	AL	2024-04-16

Warranty: For a period of one (1) year from date of shipping under normal operations conditions. This warranty does not apply to products damaged through misuse, abuse, improper installation, alteration, rework, or attempt to repair.

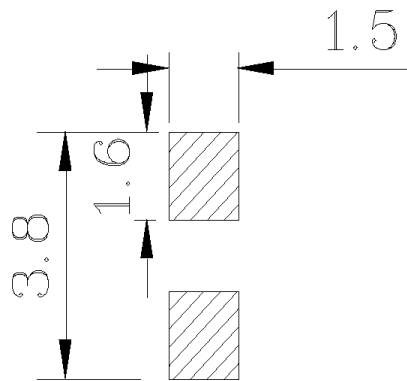
The information contained herein is believed to be correct, but no guarantee or warranty, express or implied, with respect to accuracy, completeness or results is extended and no liability is assumed. Challenge Electronics reserves the right to make changes in any specification, data or material contained herein.

CT03E-04S400-1

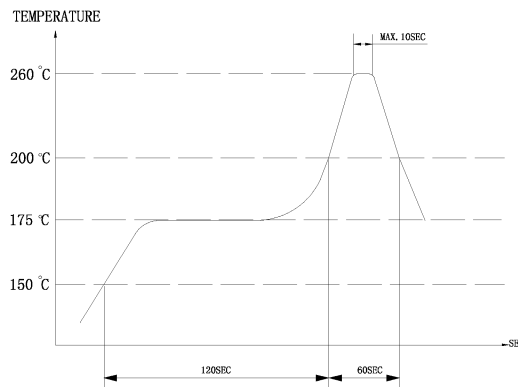
Rev. 3-2024
RoHS3 & REACH
Electromagnetic Sound Transducers



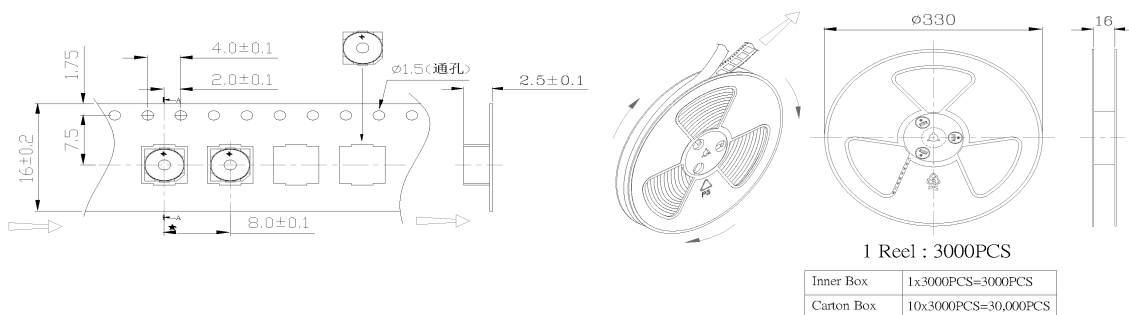
Recommended Footprint



Recommended Reflow Profile



Tape & Reel Packaging



Revision	Description	By	Date
2-2023	Added part image.	SK	2023-05-08
3-2024	Reformatted.	AL	2024-04-16

Warranty: For a period of one (1) year from date of shipping under normal operations conditions. This warranty does not apply to products damaged through misuse, abuse, improper installation, alteration, rework, or attempt to repair.

The information contained herein is believed to be correct, but no guarantee or warranty, express or implied, with respect to accuracy, completeness or results is extended and no liability is assumed. Challenge Electronics reserves the right to make changes in any specification, data or material contained herein.