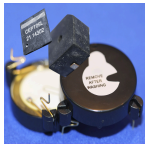


INDICATORS • SPEAKERS • SOUND TRANSDUCERS • ENCLOSURES • MICROPHONES • BATTERY ACCESSORIES

CT08E-05S250-1

Former P/N: CEET085N030-16-205-25MR

Rev. 2-2019
RoHS3 & REACH
Electromagnetic Sound Transducers



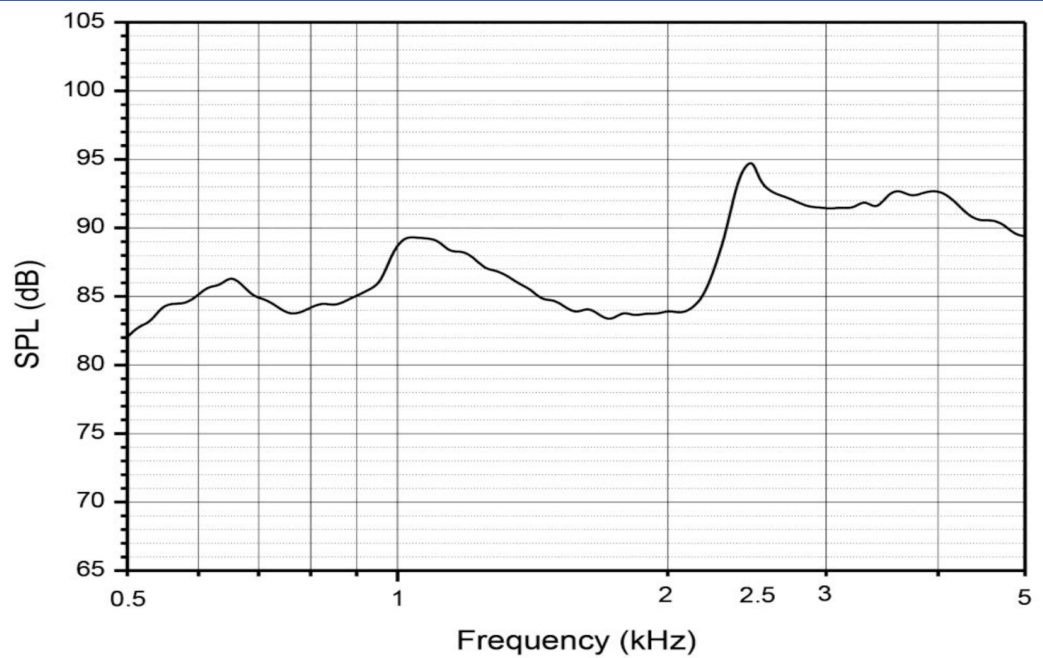
Operating Characteristics

ELECTRICAL

Rated Voltage	3.6 Vo-p
Operating Voltage	2 to 5 Vo-p
Coil Resistance	16 ± 2.4 Ω
Max Current at V Rated	90 mA

ACOUSTIC

Min SPL at V Rated	88 dB
Test Conditions	10 cm
f_o	2500



Physical Characteristics

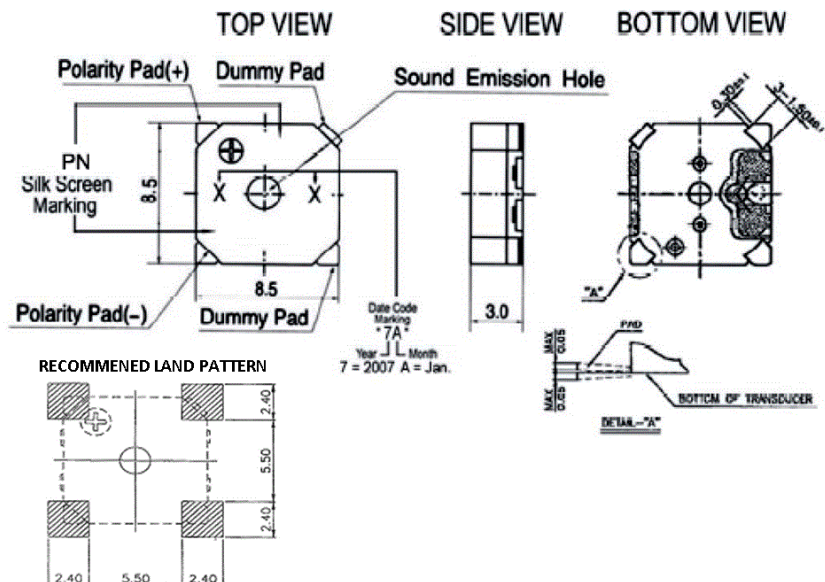
MATERIAL

Housing	Plastic LCP
Diaphragm	Ni Alloy Disc N50
Solder Pad	Tin Plated Brass

TEMPERATURE RANGES

Operating	-30 to +70 °C
Storage	-40 to +85 °C

Weight 0.4 g



Revision	Description	By	Date
1-2013	Revised Operating Temperature and added SMD Layout	EZ	2013-03-04
2-2019	Migrate to new format. Updated response curve.	JL	2019-06-21

Warranty: For a period of one (1) year from date of shipping under normal operations conditions This warranty does not apply to products damaged through misuse, abuse, improper installation, alteration, rework, or attempt to repair.

The information contained herein is believed to be correct, but no guarantee or warranty, express or implied, with respect to accuracy, completeness or results is extended and no liability is assumed. Challenge Electronics reserves the right to make changes in any specification, data or material contained herein.