

CT08E-05S400-1

Former P/N: CEET085N040-12-365-40MR

Rev. 3-2023
RoHS3 & REACH
Electromagnetic Sound Transducers



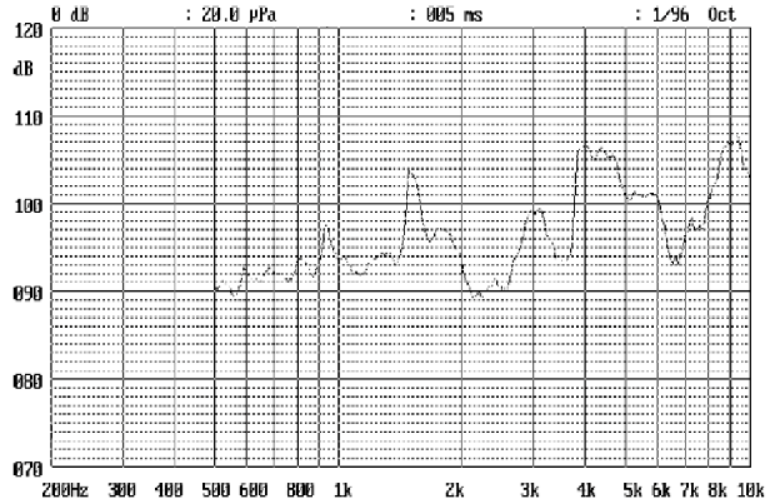
Operating Characteristics

ELECTRICAL

Rated Voltage	4.4 Vo-p
Operating Voltage	3.6 to 5 Vo-p
Coil Resistance	12 ± 3 Ω
Max Current at V Rated	140 mA

ACOUSTIC

Min SPL at V Rated	100 dB
Test Conditions	10 cm
f _o	4000 Hz



Physical Characteristics

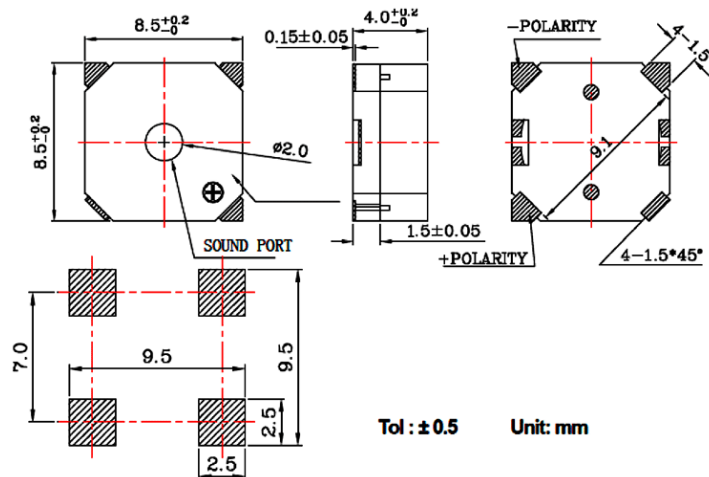
MATERIAL

Housing	Plastic
Diaphragm	Iron-Nickel Alloy
Solder Pad	Tin Plated Brass

TEMPERATURE RANGES

Operating	-20 to +70 °C
Storage	-30 to +80 °C

Weight 0.8 g



All measurements in mm unless otherwise noted.

Revision	Description	By	Date
2-2019	Migrate to new format	JL	2019-06-21
3-2023	Added part image.	SK	2023-05-08

Warranty: For a period of one (1) year from date of shipping under normal operations conditions. This warranty does not apply to products damaged through misuse, abuse, improper installation, alteration, rework, or attempt to repair.

The information contained herein is believed to be correct, but no guarantee or warranty, express or implied, with respect to accuracy, completeness or results is extended and no liability is assumed. Challenge Electronics reserves the right to make changes in any specification, data or material contained herein.