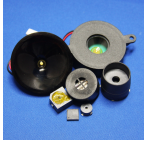


CT09E-04S273-3

 Rev. 0-2025
 RoHS3 & REACH
 Electromagnetic Sound Transducers


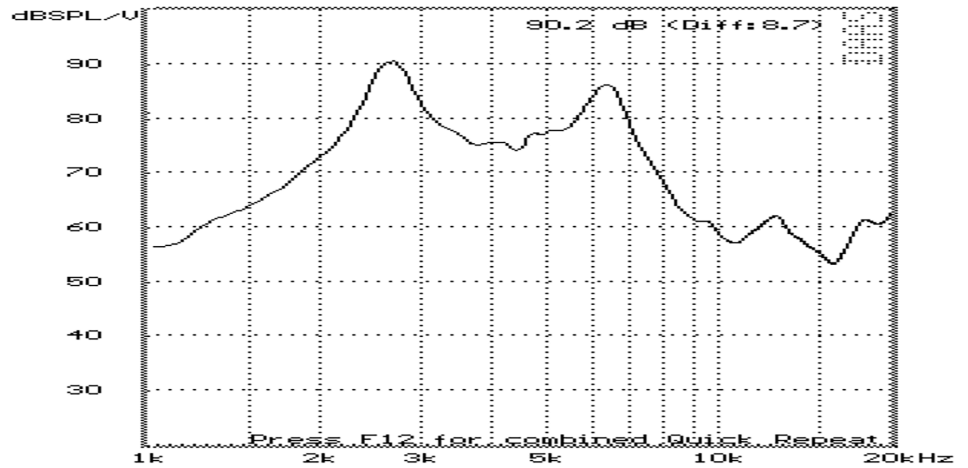
Operating Characteristics

ELECTRICAL

Rated Voltage	3 Vo-p
Operating Voltage	2.5 to 4.5 Vo-p
Coil Resistance	17 ± 2 Ω
Max Current at V Rated	80 mA

ACOUSTIC

Min SPL at V Rated	85 dB
Test Conditions	10 cm
f_0	2731 Hz



Physical Characteristics

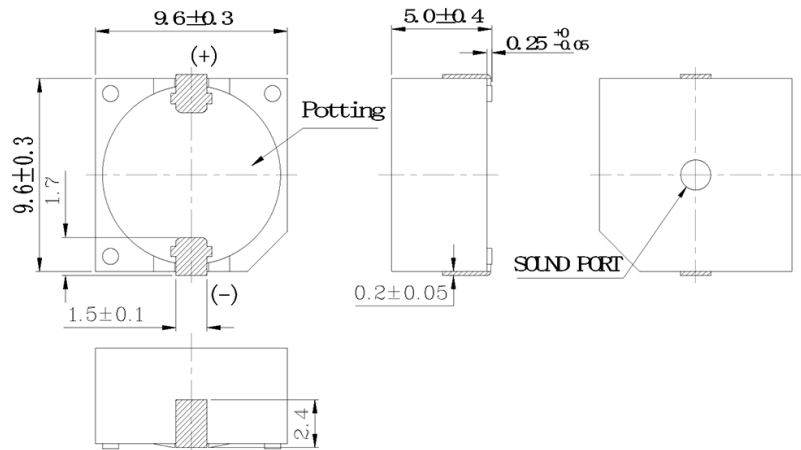
MATERIAL

Housing	Black LCP
Diaphragm	Nickel Alloy
Solder Pads	Gold Plated Brass

TEMPERATURE RANGES

Operating	-20 to +70 °C
Storage	-30 to +80 °C

Weight	0.8 g
--------	-------



General tolerance = ±0.5 mm and all measurements in mm unless otherwise noted.

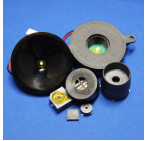
Revision	Description	By	Date
0-2025	Original Specification	KG	2025-03-04

Warranty: For a period of one (1) year from date of shipping under normal operations conditions. This warranty does not apply to products damaged through misuse, abuse, improper installation, alteration, rework, or attempt to repair.

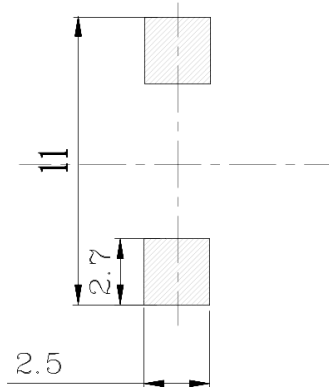
The information contained herein is believed to be correct, but no guarantee or warranty, express or implied, with respect to accuracy, completeness or results is extended and no liability is assumed. Challenge Electronics reserves the right to make changes in any specification, data or material contained herein.

CT09E-04S273-3

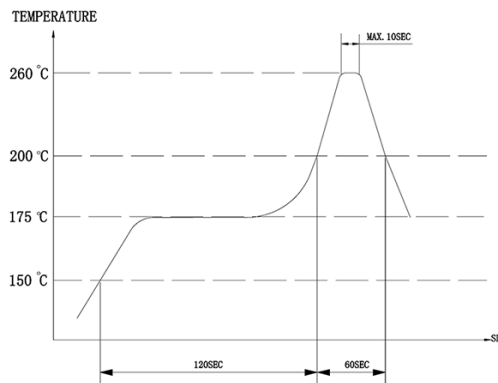
Rev. 0-2025
 RoHS3 & REACH
 Electromagnetic Sound Transducers



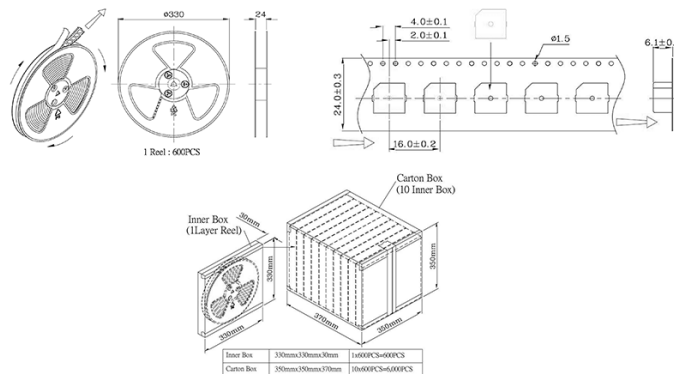
Recommended Footprint



Recommended Reflow Profile



Tape & Reel Packaging



Revision	Description	By	Date
0-2025	Original Specification	KG	2025-03-04

Warranty: For a period of one (1) year from date of shipping under normal operations conditions. This warranty does not apply to products damaged through misuse, abuse, improper installation, alteration, rework, or attempt to repair.

The information contained herein is believed to be correct, but no guarantee or warranty, express or implied, with respect to accuracy, completeness or results is extended and no liability is assumed. Challenge Electronics reserves the right to make changes in any specification, data or material contained herein.