

# CT12E-04S200-1

 Rev. 2-2024  
 RoHS3 & REACH  
 Electromagnetic Sound Transducers

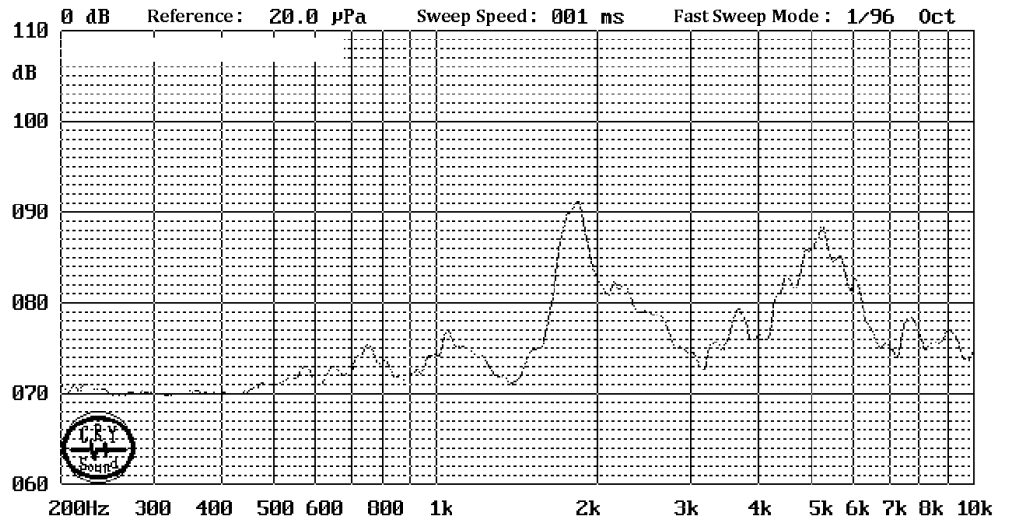

## Operating Characteristics

### ELECTRICAL

Rated Voltage	3 Vo-p
Operating Voltage	2 to 4 Vo-p
Coil Resistance	16 ± 3 Ω
Max Current at V Rated	80 mA

### ACOUSTIC

Min SPL at V Rated	80 dB
Test Conditions	10 cm
$f_o$	2000 Hz



## Physical Characteristics

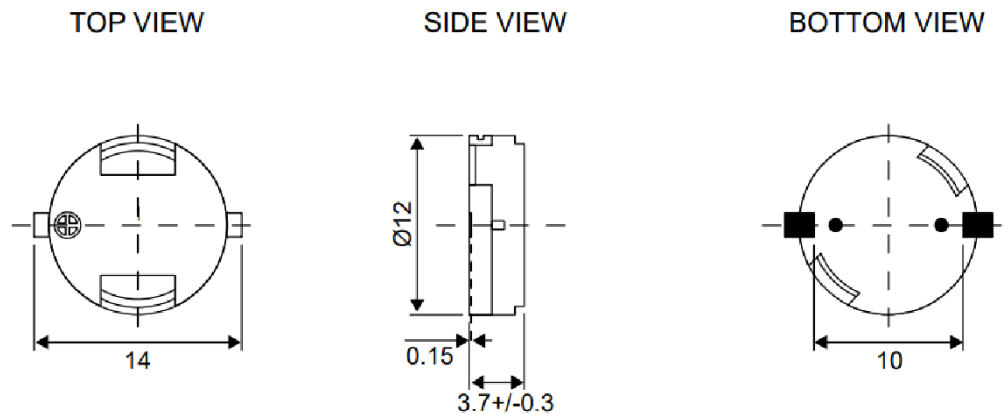
### MATERIAL

Housing	LCP (Black)
Diaphragm	Nickel Alloy
Solder Pads	Tin Plated Copper

### TEMPERATURE RANGES

Operating	-40 to +85 °C
Storage	-40 to +85 °C

Weight: 0.8 g



General tolerance = ±0.5 mm and all measurements in mm unless otherwise noted.

Revision	Description	By	Date
1-2024	Updated markings on the top view of the mechanical drawing.	AL	2024-01-18
2-2024	Updated part image.	SK	2024-02-01

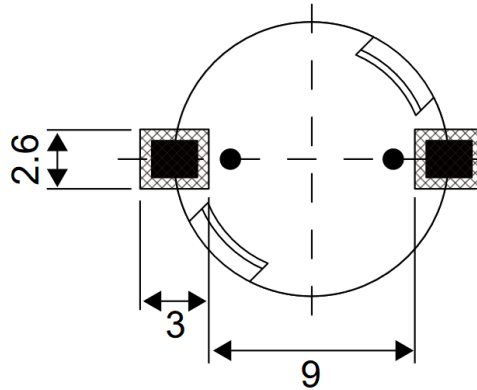
Warranty: For a period of one (1) year from date of shipping under normal operations conditions. This warranty does not apply to products damaged through misuse, abuse, improper installation, alteration, rework, or attempt to repair.

The information contained herein is believed to be correct, but no guarantee or warranty, express or implied, with respect to accuracy, completeness or results is extended and no liability is assumed. Challenge Electronics reserves the right to make changes in any specification, data or material contained herein.

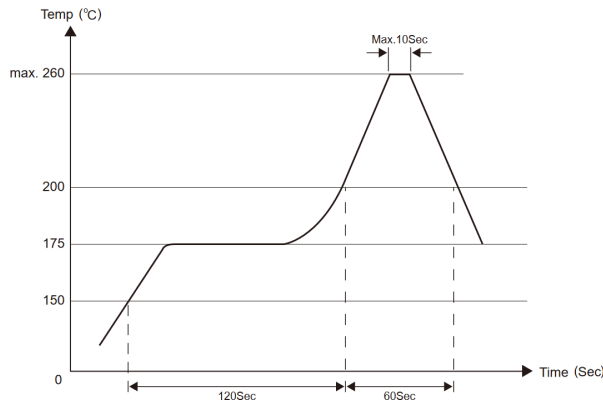
# CT12E-04S200-1

 Rev. 2-2024  
 RoHS3 & REACH  
 Electromagnetic Sound Transducers

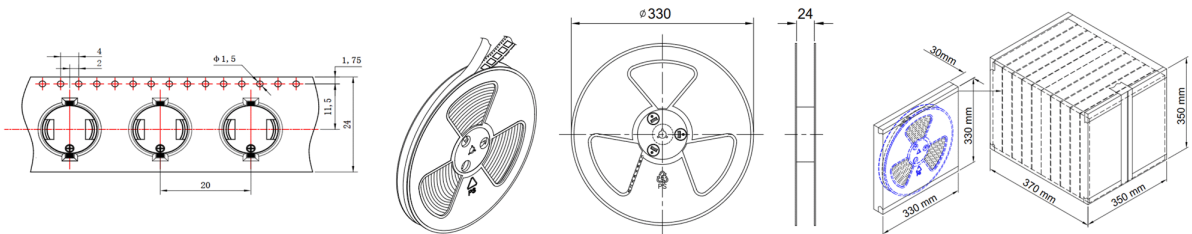

## Recommended Footprint



## Recommended Reflow Profile



## Tape & Reel Packaging



800 pcs. per reel, 10 reels per box, 8000 pcs. per box.

Revision	Description	By	Date
1-2024	Updated markings on the top view of the mechanical drawing.	AL	2024-01-18
2-2024	Updated part image.	SK	2024-02-01

Warranty: For a period of one (1) year from date of shipping under normal operations conditions. This warranty does not apply to products damaged through misuse, abuse, improper installation, alteration, rework, or attempt to repair.

The information contained herein is believed to be correct, but no guarantee or warranty, express or implied, with respect to accuracy, completeness or results is extended and no liability is assumed. Challenge Electronics reserves the right to make changes in any specification, data or material contained herein.