

## CT12E-05T200-1

Former P/N: CEET120B090-47-205-20P65LR

Rev. 3-2023  
RoHS3 & REACH  
Electromagnetic Sound Transducers



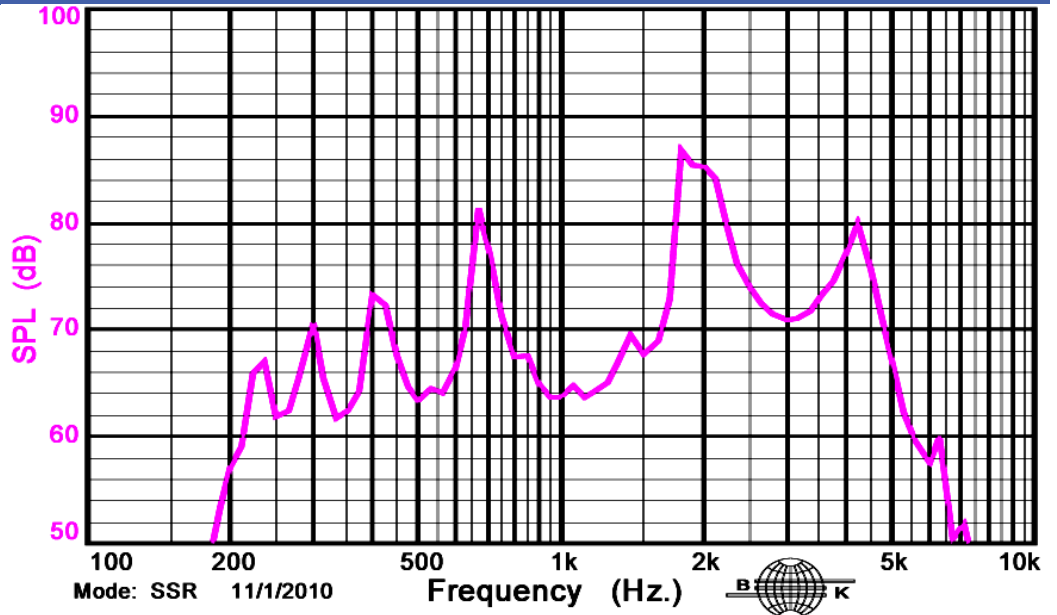
### Operating Characteristics

#### ELECTRICAL

Rated Voltage	3.0 Vo-p
Operating Voltage	2.0 to 5.0 Vo-p
Coil Resistance	47 ± 7 Ω
Max Current at V Rated	40 mA

#### ACOUSTIC

Min SPL at V Rated	80 dB
Test Conditions	10 cm
f <sub>o</sub>	2000 Hz



### Physical Characteristics

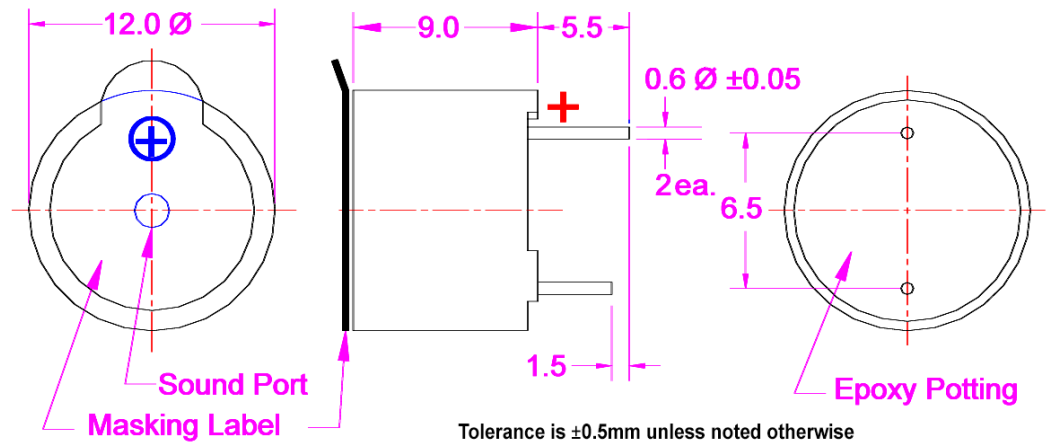
#### MATERIAL

Housing	PBT
Diaphragm	Iron
PC Pin	Tin Plated Copper

#### TEMPERATURE RANGES

Operating	-30 to +70 °C
Storage	-40 to +85 °C

Weight	2 g
--------	-----



Revision	Description	By	Date
2-2020	Update housing material to PBT	WS	2020-10-07
3-2023	Added part image.	SK	2023-05-08

Warranty: For a period of one (1) year from date of shipping under normal operations conditions. This warranty does not apply to products damaged through misuse, abuse, improper installation, alteration, rework, or attempt to repair.

The information contained herein is believed to be correct, but no guarantee or warranty, express or implied, with respect to accuracy, completeness or results is extended and no liability is assumed. Challenge Electronics reserves the right to make changes in any specification, data or material contained herein.