

INDICATORS • SPEAKERS • SOUND TRANSDUCERS • ENCLOSURES • MICROPHONES • BATTERY ACCESSORIES

## CT12E-05T204-8

Former P/N: CEET120B085-42-205-20P6.5R

 Rev. 3-2019  
 RoHS3 & REACH  
 Electromagnetic Sound Transducers

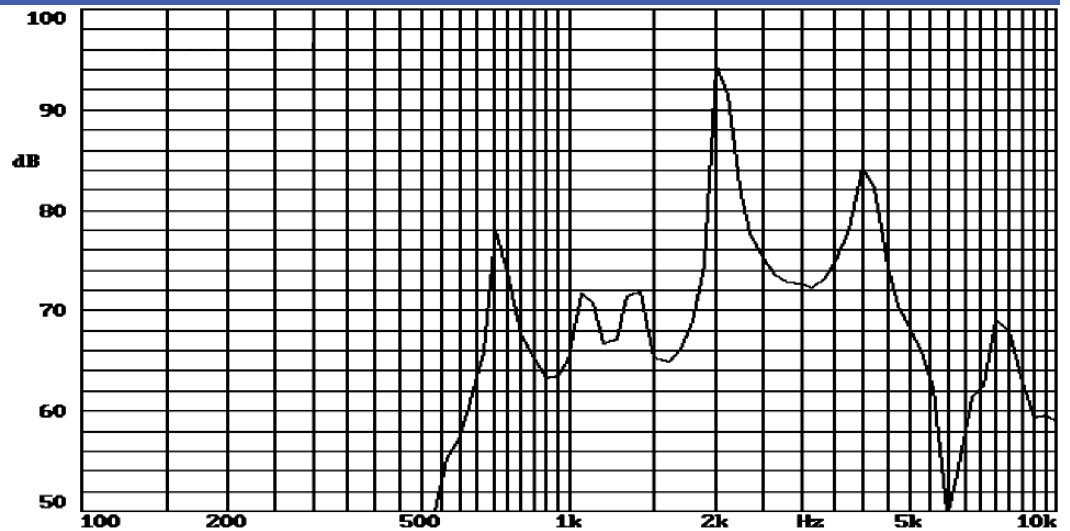

### Operating Characteristics

#### ELECTRICAL

Rated Voltage	3.5 Vo-p
Operating Voltage	2 to 5 Vo-p
Coil Resistance	42 ± 6 Ω
Max Current at V Rated	30 mA

#### ACOUSTIC

Min SPL at V Rated	88 dB
Test Conditions	10 cm
$f_o$	2048 ± 21 Hz



### Physical Characteristics

#### MATERIAL

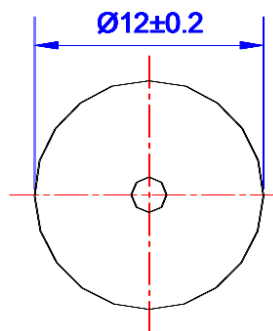
Housing	Plastic, Noryl
Diaphragm	Ni-alloy
PC Pin	Tin Plated Copper

#### TEMPERATURE RANGES

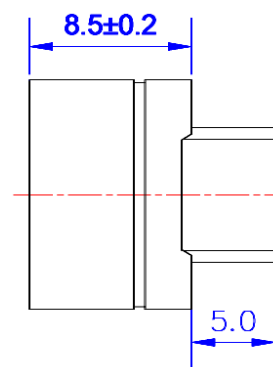
Operating	-20 to +70 °C
Storage	-30 to +80 °C

Weight 2 g

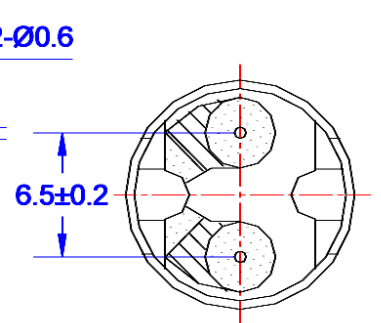
#### TOP VIEW



#### SIDE VIEW



#### BOTTOM VIEW



Revision	Description	By	Date
2-2019	Corrected voltage type from Vpp to Vo-p.	JL	2019-05-15
3-2019	Migrate to new format.	JL	2019-06-21

Warranty: For a period of one (1) year from date of shipping under normal operations conditions This warranty does not apply to products damaged through misuse, abuse, improper installation, alteration, rework, or attempt to repair.

The information contained herein is believed to be correct, but no guarantee or warranty, express or implied, with respect to accuracy, completeness or results is extended and no liability is assumed. Challenge Electronics reserves the right to make changes in any specification, data or material contained herein.