

## CT12P-20S400-7

Former P/N: CEPT120S030-400MR

Rev. 4-2023  
RoHS3 & REACH  
Piezoelectric Sound Transducers



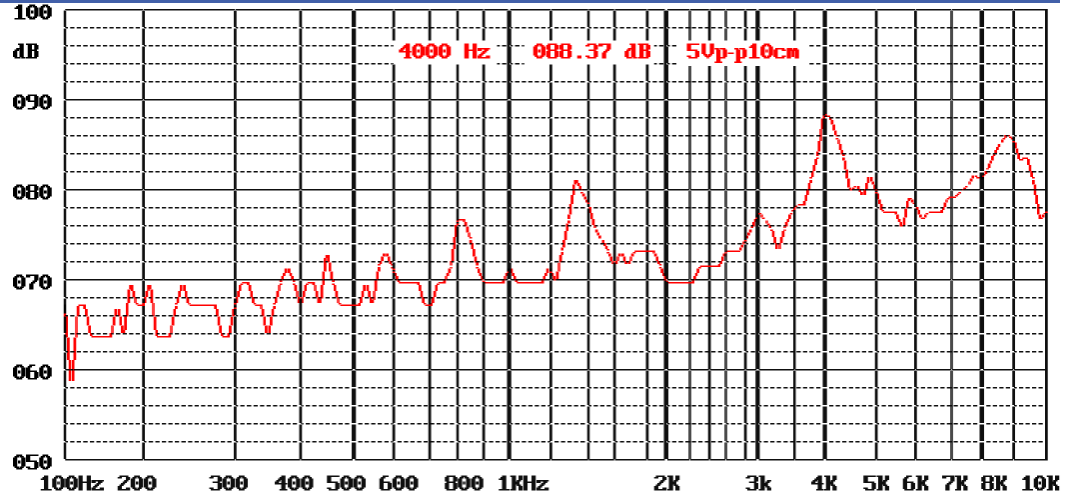
### Operating Characteristics

#### ELECTRICAL

Rated Voltage	5 Vp-p
Max Operating Voltage	20 Vp-p
Max Current at V Rated	1 mA
Capacitance	15000 pF ± 30 % 100 Hz

#### ACOUSTIC

Min SPL at V Rated	78 dB
Test Conditions	10 cm
$f_0$	4000 Hz



### Physical Characteristics

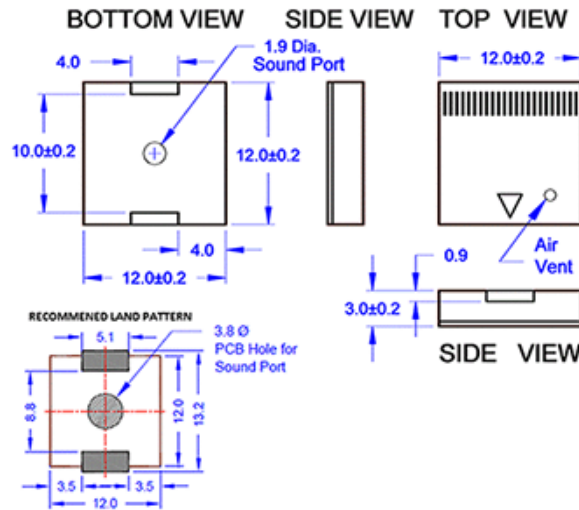
#### MATERIALS

Housing	Plastic, LCP Vectra E130i
Diaphragm	Ni Alloy Disc N42
Solder Pad	Tin Plated Brass

#### TEMPERATURE RANGES

Operating	-40 to +105 °C
Storage	-40 to +120 °C

Weight 0.8 g



All measurements in mm unless otherwise noted.

Revision	Description	By	Date
3-2019	Migrate to new format	JL	2019-06-21
4-2023	Added part image.	SK	2023-05-08

Warranty: For a period of one (1) year from date of shipping under normal operations conditions. This warranty does not apply to products damaged through misuse, abuse, improper installation, alteration, rework, or attempt to repair.

The information contained herein is believed to be correct, but no guarantee or warranty, express or implied, with respect to accuracy, completeness or results is extended and no liability is assumed. Challenge Electronics reserves the right to make changes in any specification, data or material contained herein.