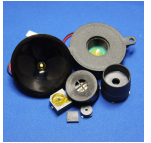


CT14E-07T250-3

 Rev. 1-2026
 RoHS3 & REACH
 Electromagnetic Sound Transducers


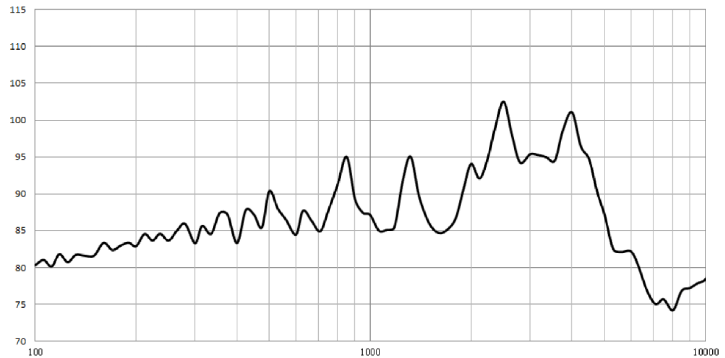
Operating Characteristics

ELECTRICAL

Rated Voltage	5 Vo-p
Operating Voltage	3 to 7 Vo-p
Coil Resistance	16 ± 4 Ω
Max Current at V Rated	75 mA

ACOUSTIC

Min SPL at V Rated	90 dB
Test Conditions	10 cm
f _o	2,500 Hz



Physical Characteristics

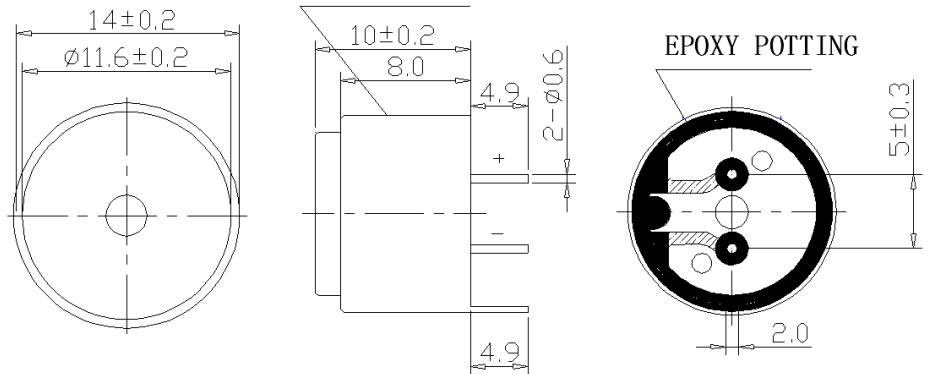
MATERIAL

Housing	Brass
Diaphragm	Ni Alloy
PC Pin	Red Copper

TEMPERATURE RANGES

Operating	-30 to +70 °C
Storage	-40 to +85 °C

Weight 3.5 g

 Side Laser Engraving: CT14E-07
 T250-3


General tolerance = ±0.5 mm and all measurements in mm unless otherwise noted.

Revision	Description	By	Date
0-2026	Original Specification	KG	2026-02-04
1-2026	Updated the dimension in the Mechanical drawing from 8.5mm to 8mm.	KG	2026-07-08

Warranty: For a period of one (1) year from date of shipping under normal operations conditions. This warranty does not apply to products damaged through misuse, abuse, improper installation, alteration, rework, or attempt to repair.

The information contained herein is believed to be correct, but no guarantee or warranty, express or implied, with respect to accuracy, completeness or results is extended and no liability is assumed. Challenge Electronics reserves the right to make changes in any specification, data or material contained herein.