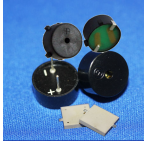


INDICATORS • SPEAKERS • SOUND TRANSDUCERS • ENCLOSURES • MICROPHONES • BATTERY ACCESSORIES

CT15Z-30W410-1

Former P/N: CEPX41-150-38B30-1000R

 Rev. 1-2019
 RoHS3 & REACH
 Piezo Element Sound Transducers


Operating Characteristics

ELECTRICAL

Max Operating Voltage	30 Vp-p
Max Resonant Impedance	1000 Ω
Capacitance	8000 pF ± 30 % 1000 Hz

ACOUSTIC: Free Air

f_o	4100 ± 500 Hz
-------	---------------

Physical Characteristics

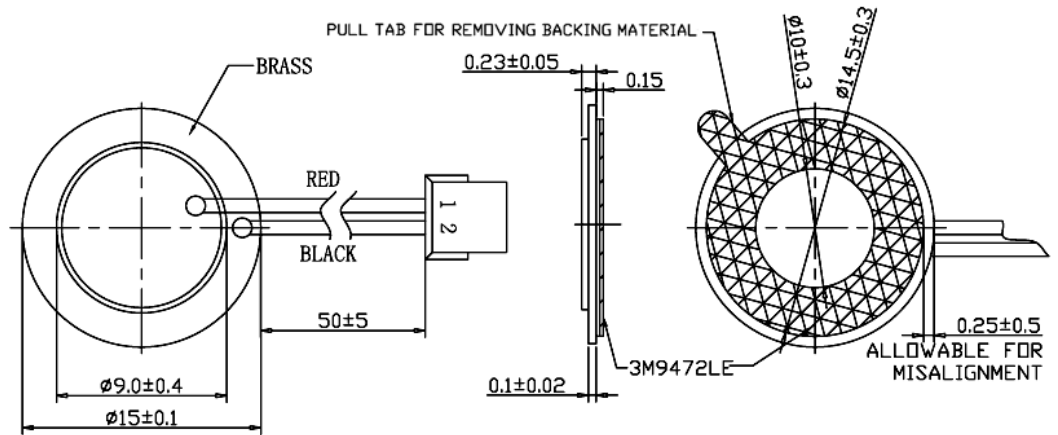
MATERIAL

Diaphragm	Brass
Wire	UL 1571, 28 AWG
Connector	JST-ZHR-2

TEMPERATURE RANGES

Operating	-20 to +60 °C
Storage	-30 to +70 °C

Weight	2 g
--------	-----



Revision	Description	By	Date
1-2019	Migrate to new format	JL	2019-06-21

Warranty: For a period of one (1) year from date of shipping under normal operations conditions This warranty does not apply to products damaged through misuse, abuse, improper installation, alteration, rework, or attempt to repair.

The information contained herein is believed to be correct, but no guarantee or warranty, express or implied, with respect to accuracy, completeness or results is extended and no liability is assumed. Challenge Electronics reserves the right to make changes in any specification, data or material contained herein.
 ©2020 Challenge Electronics, Inc. Pub. 20200224150937