

CT17P-25S200-2

Former P/N: CEPT170A087-125-20MR

Rev. 2-2019
 RoHS3 & REACH
 Piezoelectric Sound Transducers



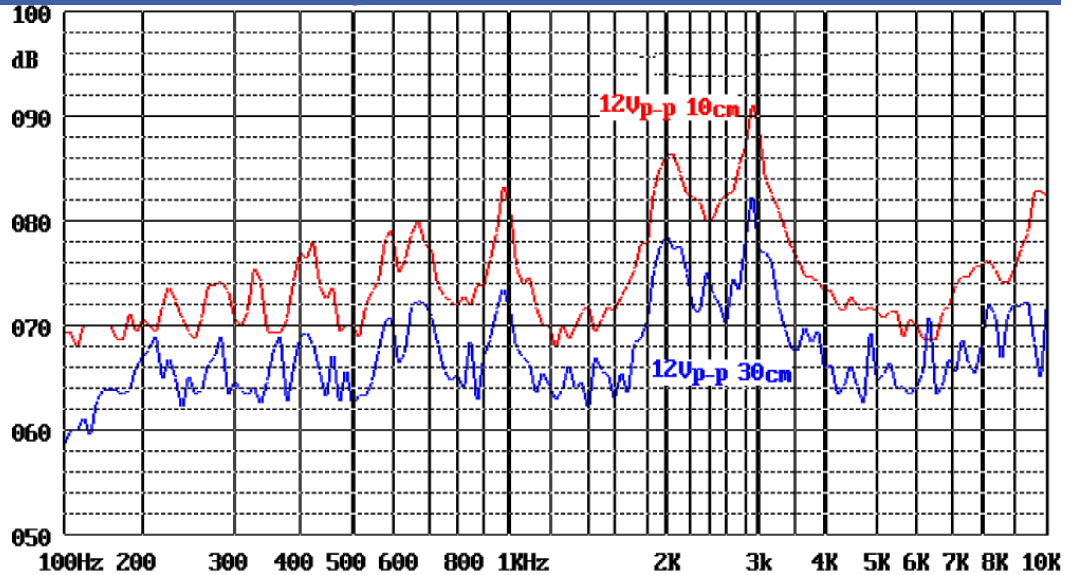
Operating Characteristics

ELECTRICAL

Rated Voltage	12 Vp-p
Max Operating Voltage	25 Vp-p
Max Current at V Rated	2 mA
Capacitance	19000 pF ± 30 % 100 Hz

ACOUSTIC

Min SPL at V Rated	80 dB
Test Conditions	10 cm
f _o	2000 ± 500 Hz



Physical Characteristics

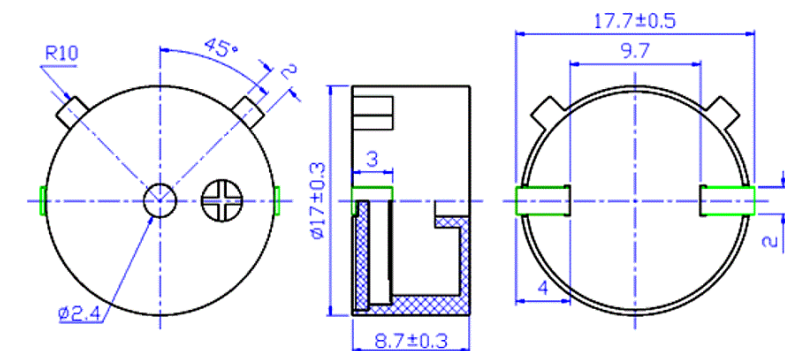
MATERIALS

Housing	Plastic, PPS A7-03A
Diaphragm	Ni Alloy Disc N42
Solder Pad	Tin Plated Brass

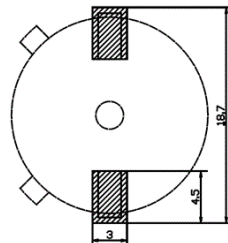
TEMPERATURE RANGES

Operating	-30 to +85 °C
Storage	-40 to +90 °C

Weight 1.6 g



RECOMMENDED LAND PATTERN



Revision	Description	By	Date
2-2019	Migrate to new format	JL	2019-06-21

Warranty: For a period of one (1) year from date of shipping under normal operations conditions This warranty does not apply to products damaged through misuse, abuse, improper installation, alteration, rework, or attempt to repair.