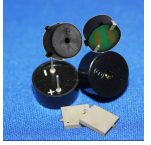


INDICATORS • SPEAKERS • SOUND TRANSDUCERS • ENCLOSURES • MICROPHONES • BATTERY ACCESSORIES

CT22P-30T400-1

Former P/N: CT22PT-30400-1

Rev. 1-2019
 RoHS3 & REACH
 Piezoelectric Sound Transducers



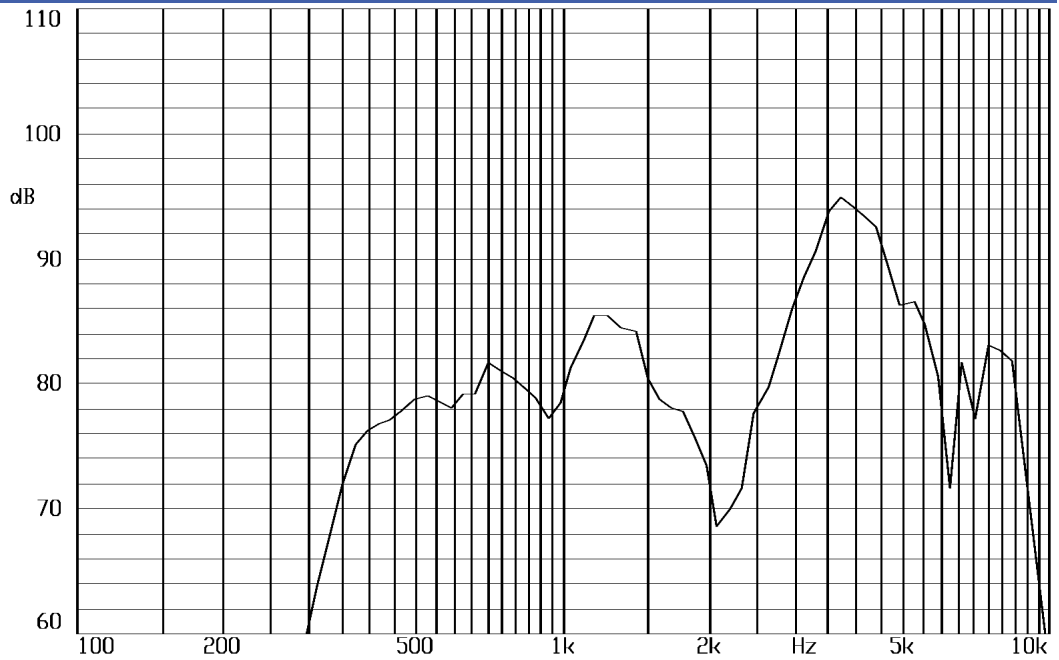
Operating Characteristics

ELECTRICAL

Rated Voltage	12 Vp-p
Max Operating Voltage	30 Vp-p
Max Current at V Rated	5 mA
Capacitance	15000 pF ± 30 % 120 Hz

ACOUSTIC

Min SPL at V Rated	85 dB
Test Conditions	10 cm
f_o	4000 ± 500 Hz



Physical Characteristics

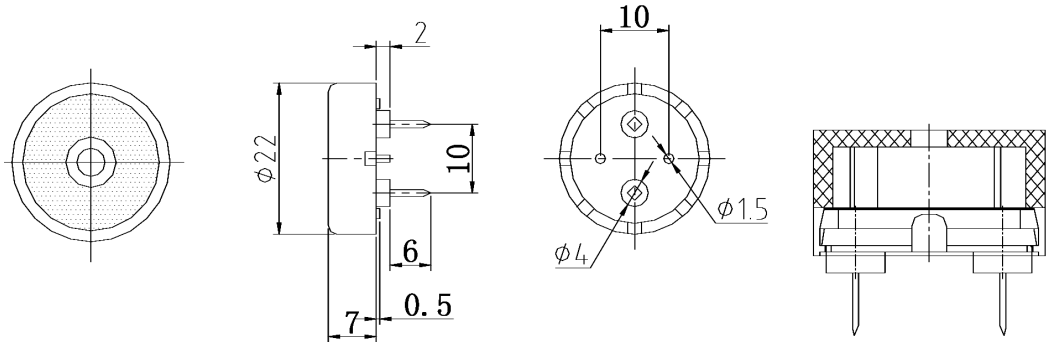
MATERIALS

Housing	Black Noryl
Diaphragm	Brass
PC Pin	Phosphor Bronze

TEMPERATURE RANGES

Operating	-30 to +70 °C
Storage	-40 to +85 °C

Weight	2 g
--------	-----



Revision	Description	By	Date
0-2018	Initial Specification Sheet	JL	2018-01-15
1-2019	Migrate to new format	JL	2019-06-21

Warranty: For a period of one (1) year from date of shipping under normal operations conditions This warranty does not apply to products damaged through misuse, abuse, improper installation, alteration, rework, or attempt to repair.

The information contained herein is believed to be correct, but no guarantee or warranty, express or implied, with respect to accuracy, completeness or results is extended and no liability is assumed. Challenge Electronics reserves the right to make changes in any specification, data or material contained herein.