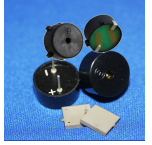


INDICATORS • SPEAKERS • SOUND TRANSDUCERS • ENCLOSURES • MICROPHONES • BATTERY ACCESSORIES

## CT23P-25T400-1

Former P/N: CEPT238B065-125-40PR

Rev. 7-2020  
RoHS3 & REACH  
Piezoelectric Sound Transducers



### Operating Characteristics

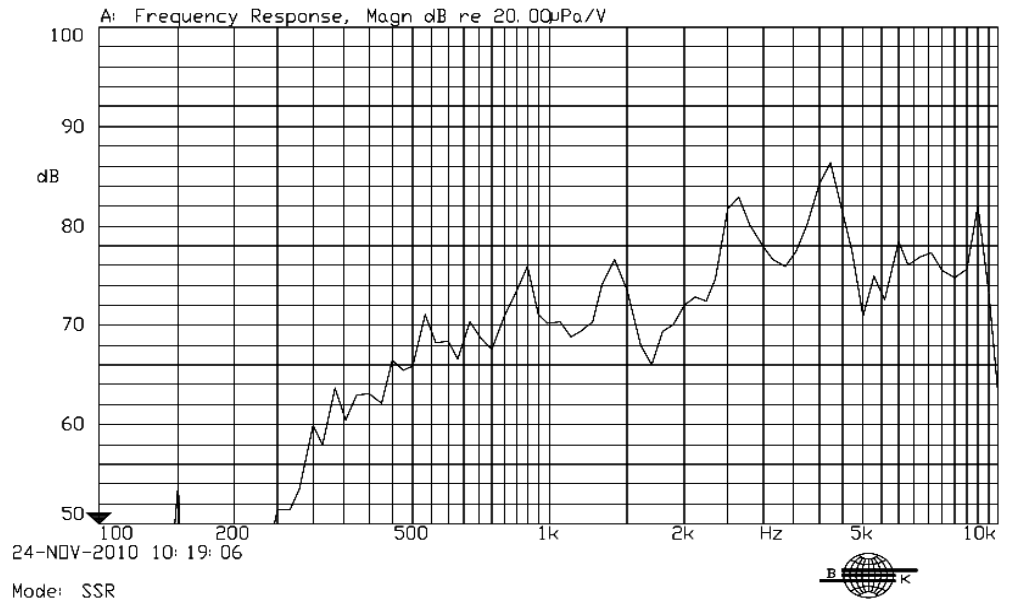
#### ELECTRICAL

Rated Voltage	3 Vp-p
Max Operating Voltage	25 Vp-p
Max Current at V Rated	5 mA
Capacitance	24000 pF ± 30 % 120 Hz

#### ACOUSTIC

Min SPL at V Rated	80 dB
Test Conditions	10 cm
f <sub>o</sub>	4000 ± 200 Hz

X: 100.00Hz \*Y: 35.21dB\* ZA: Live Curve SSR T. Ha.



### Physical Characteristics

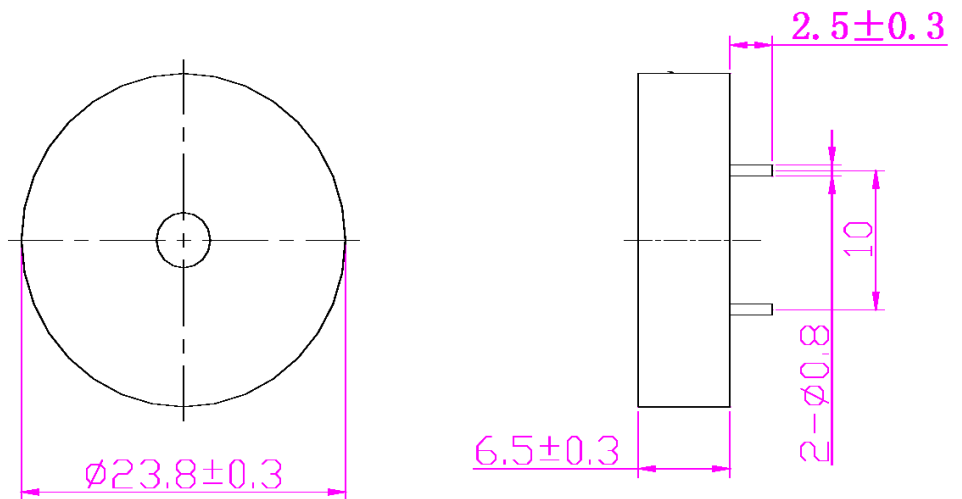
#### MATERIALS

Housing	ABS 777D
Diaphragm	Brass
PC Pin	Copper

#### TEMPERATURE RANGES

Operating	-20 to +60 °C
Storage	-30 to +70 °C

Weight 2.5 g



Revision	Description	By	Date
6-2019	Migrate to new format.	JL	2019-06-24
7-2020	Update mechanical dwg w/o PN	WS	2020-03-05

Warranty: For a period of one (1) year from date of shipping under normal operations conditions This warranty does not apply to products damaged through misuse, abuse, improper installation, alteration, rework, or attempt to repair.

The information contained herein is believed to be correct, but no guarantee or warranty, express or implied, with respect to accuracy, completeness or results is extended and no liability is assumed. Challenge Electronics reserves the right to make changes in any specification, data or material contained herein.