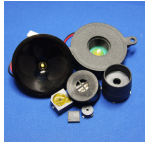


CT23P-30S320-2

Former P/N: CEPT230A220-130-32MR

Rev. 3-2023
RoHS3 & REACH
Piezoelectric Sound Transducers



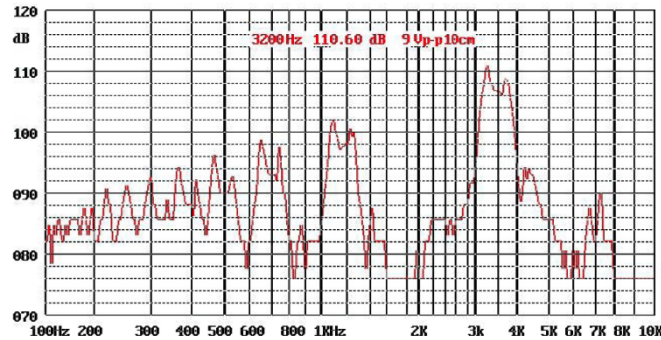
Operating Characteristics

ELECTRICAL

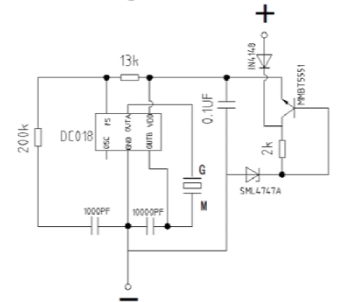
Rated Voltage	12 VDC
Operating Voltage	7 to 15 VDC
Max Current at V Rated	30 mA
Capacitance	25,000 pF ± 30 % 100 Hz

ACOUSTIC

Min SPL at V Rated	85 dB
Test Conditions	300 cm
f_0	3200 ± 500 Hz



Driving Circuit



Physical Characteristics

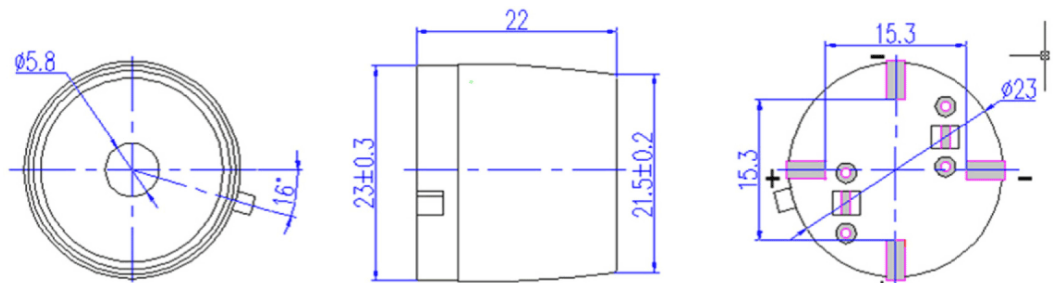
MATERIALS

Housing	Plastic, Black, PPS A7-03
Diaphragm	Ni Alloy Disc N42
Solder Pad	Tin Plated Brass

TEMPERATURE RANGES

Operating	-30 to +85 °C
Storage	-40 to +90 °C

Weight 5.35 g



General tolerance = ±0.3 mm and all measurements in mm unless otherwise noted.

Revision	Description	By	Date
2-2019	Migrate to new format	JL	2019-06-21
3-2023	Rated Voltage Updated from 9 to 12V. Max Voltage changed from 30 to 15V. Updated SPL from 106dB at 10cm to 85dB at 300cm. Current changed from 8 to 30mA. Added Driving Circuit, SMT Footprint, Reflow Profile, and Packaging Details.	AL	2023-05-04

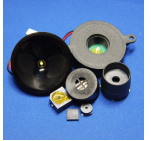
Warranty: For a period of one (1) year from date of shipping under normal operations conditions. This warranty does not apply to products damaged through misuse, abuse, improper installation, alteration, rework, or attempt to repair.

The information contained herein is believed to be correct, but no guarantee or warranty, express or implied, with respect to accuracy, completeness or results is extended and no liability is assumed. Challenge Electronics reserves the right to make changes in any specification, data or material contained herein.

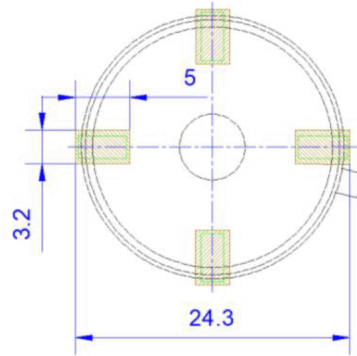
CT23P-30S320-2

Former P/N: CEPT230A220-130-32MR

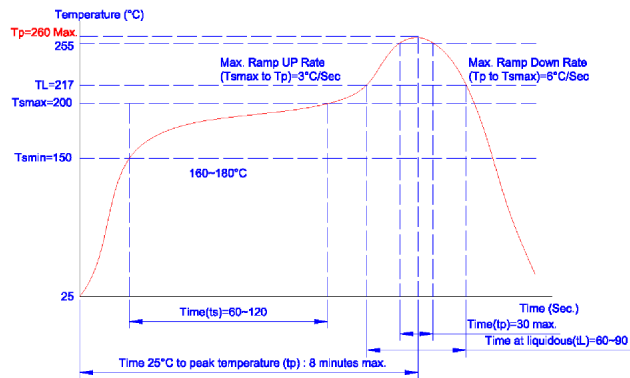
Rev. 3-2023
RoHS3 & REACH
Piezoelectric Sound Transducers



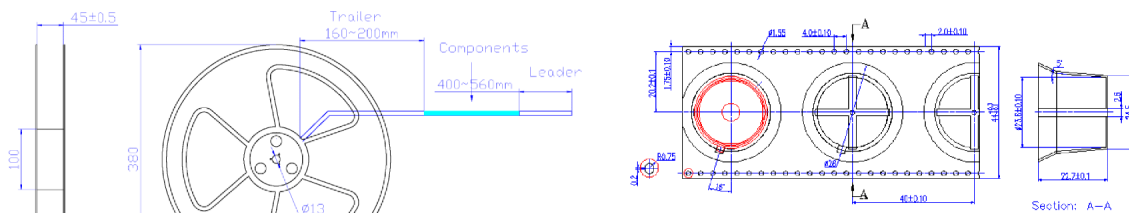
Recommended Footprint



Recommended Reflow Profile



Tape & Reel Packaging



- NOTE:
1. 10 sprocket holes pitch cumulative tolerance ± 0.20 mm.
 2. Carrier camber not to exceed 1 mm in 100 mm.
 3. Ao & Bo measured on a plane 0.3mm above the bottom of the pocket
 4. Ko measured from a plane on the inside bottom of pocket to the top surface of the carrier.
 5. All dimensions meet EIA-481-2-A requirements.
 6. Component loaded 4.8meters per 15" reel: 100 pcs.

Revision	Description	By	Date
2-2019	Migrate to new format	JL	2019-06-21
3-2023	Rated Voltage Updated from 9 to 12V. Max Voltage changed from 30 to 15V. Updated SPL from 106dB at 10cm to 85dB at 300cm. Current changed from 8 to 30mA. Added Driving Circuit, SMT Footprint, Reflow Profile, and Packaging Details.	AL	2023-05-04

Warranty: For a period of one (1) year from date of shipping under normal operations conditions. This warranty does not apply to products damaged through misuse, abuse, improper installation, alteration, rework, or attempt to repair.

The information contained herein is believed to be correct, but no guarantee or warranty, express or implied, with respect to accuracy, completeness or results is extended and no liability is assumed. Challenge Electronics reserves the right to make changes in any specification, data or material contained herein.