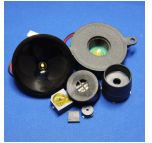


CT23P-30S320-2

Former P/N: CEPT230A220-130-32MR

Rev. 5-2024
RoHS3 & REACH
Piezoelectric Sound Transducers



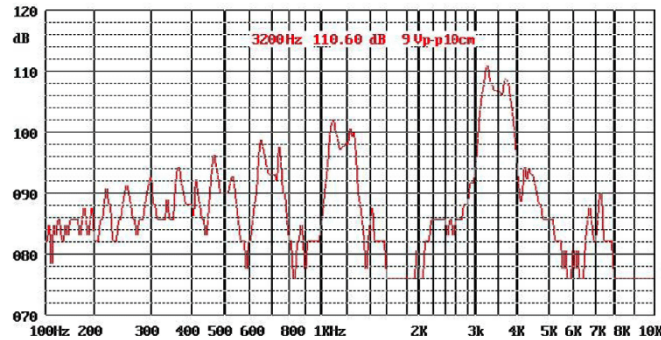
Operating Characteristics

ELECTRICAL

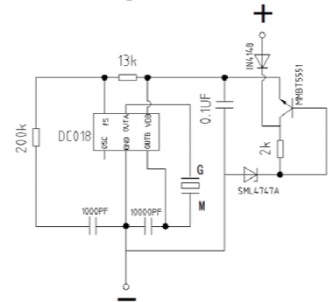
Rated Voltage	12 VDC
Operating Voltage	7 to 15 VDC
Max Current at V Rated	30 mA
Capacitance	25,000 pF ± 30 % 100 Hz

ACOUSTIC

Min SPL at V Rated	85 dB
Test Conditions	300 cm
f_0	3200 ± 500 Hz



Driving Circuit



Physical Characteristics

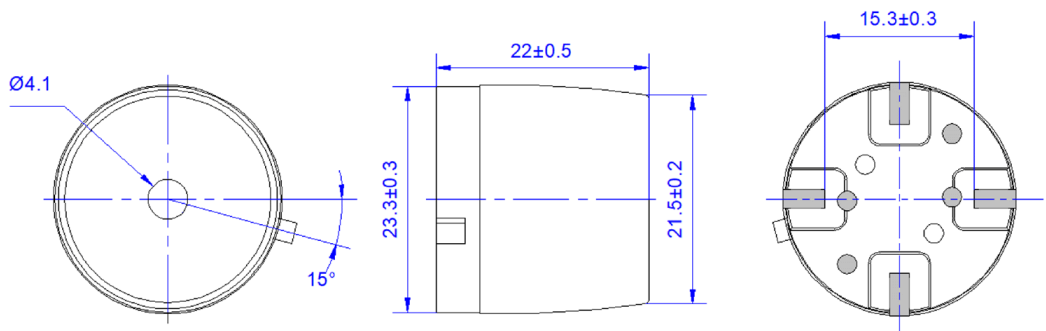
MATERIALS

Housing	Plastic, Black, PPS A7-03
Diaphragm	Ni Alloy Disc N42
Solder Pad	Tin Plated Brass

TEMPERATURE RANGES

Operating	-30 to +85 °C
Storage	-40 to +90 °C

Weight 5.35 g



General tolerance = ±0.3 mm and all measurements in mm unless otherwise noted.

Revision	Description	By	Date
4-2024	Updated mechanical, recommended footprint, and tape & reel drawings. Revised sound hole diameter dimension from 5.8 to 4.1mm and relative angle dimension from 16 to 15°. Updated pieces per reel from 100 to 110.	SK	2024-01-04
5-2024	Updated mechanical drawing. Overall diameter revised from 23±0.3 to 23.3±0.3mm.	SK	2024-01-15

Warranty: For a period of one (1) year from date of shipping under normal operations conditions. This warranty does not apply to products damaged through misuse, abuse, improper installation, alteration, rework, or attempt to repair.

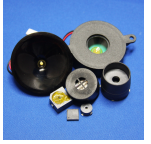
The information contained herein is believed to be correct, but no guarantee or warranty, express or implied, with respect to accuracy, completeness or results is extended and no liability is assumed. Challenge Electronics reserves the right to make changes in any specification, data or material contained herein.

INDICATORS • SPEAKERS • SOUND TRANSDUCERS • ENCLOSURES • MICROPHONES • BATTERY ACCESSORIES

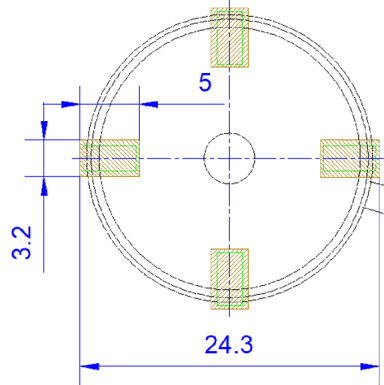
CT23P-30S320-2

Former P/N: CEPT230A220-130-32MR

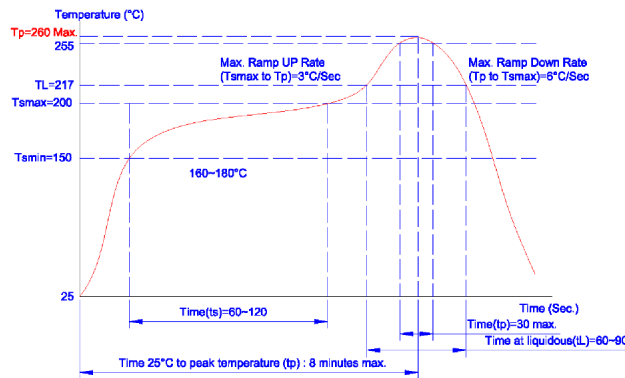
Rev. 5-2024
RoHS3 & REACH
Piezoelectric Sound Transducers



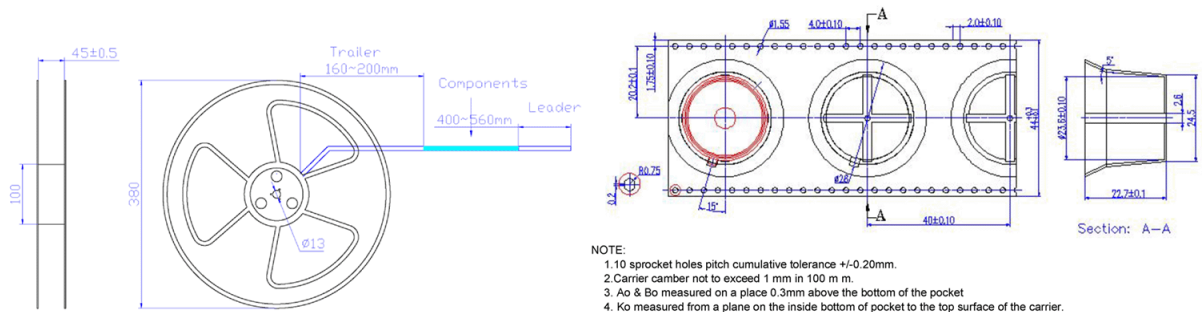
Recommended Footprint



Recommended Reflow Profile



Tape & Reel Packaging



Revision	Description	By	Date
4-2024	Updated mechanical, recommended footprint, and tape & reel drawings. Revised sound hole diameter dimension from 5.8 to 4.1mm and relative angle dimension from 16 to 15°. Updated pieces per reel from 100 to 110.	SK	2024-01-04
5-2024	Updated mechanical drawing. Overall diameter revised from 23±0.3 to 23.3±0.3mm.	SK	2024-01-15

Warranty: For a period of one (1) year from date of shipping under normal operations conditions. This warranty does not apply to products damaged through misuse, abuse, improper installation, alteration, rework, or attempt to repair.

The information contained herein is believed to be correct, but no guarantee or warranty, express or implied, with respect to accuracy, completeness or results is extended and no liability is assumed. Challenge Electronics reserves the right to make changes in any specification, data or material contained herein.