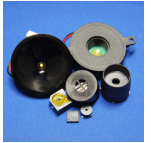


CT25E-07T150-1

Former P/N: CEMT250B125-5C15PLR / CEMT250B-5PLR

Rev. 4-2024
RoHS3 & REACH
Electromagnetic Sound Transducers



Operating Characteristics

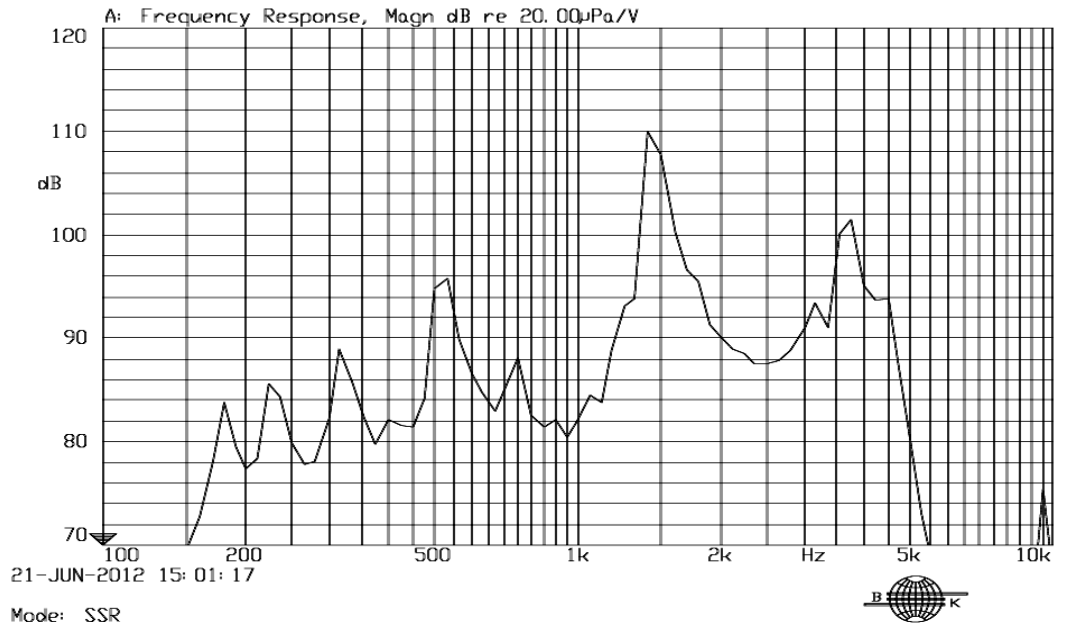
ELECTRICAL

| | |
|------------------------|-----------------|
| Rated Voltage | 5.0 Vo-p |
| Operating Voltage | 3.0 to 7.0 Vo-p |
| Coil Resistance | 30 ± 4 Ω |
| Max Current at V Rated | 80 mA |

ACOUSTIC

| | |
|--------------------|---------|
| Min SPL at V Rated | 104 dB |
| Test Conditions | 10 cm |
| f _o | 1500 Hz |

X: 100.00Hz *Y: 56.90dB ZA: Live Curve SSR T. Ha.



Physical Characteristics

MATERIAL

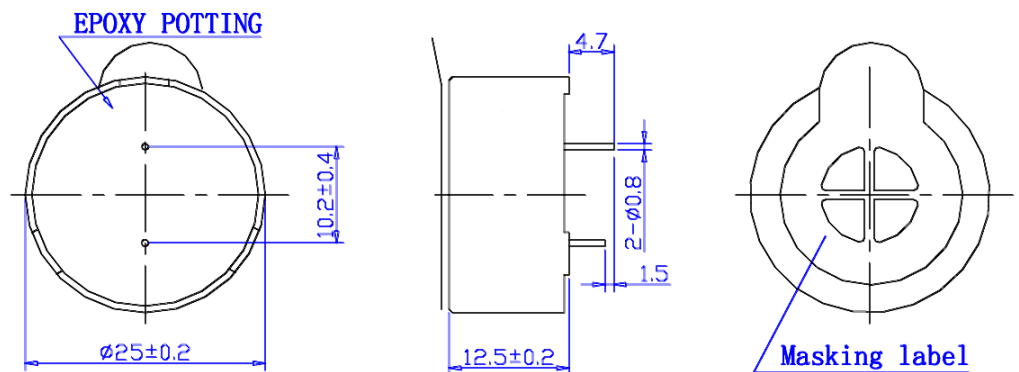
| | |
|-----------|------------------|
| Housing | Plastic |
| Diaphragm | Nickel Alloy |
| PC Pin | Tin Plated Brass |

TEMPERATURE RANGES

| | |
|-----------|---------------|
| Operating | -40 to +85 °C |
| Storage | -40 to +85 °C |

| | |
|--------|--------|
| Weight | 8.41 g |
|--------|--------|

Tolerance: ± 0.5 mm unless specified otherwise.



All measurements in mm unless otherwise noted.

| Revision | Description | By | Date |
|----------|---|----|------------|
| 3-2020 | Added abbreviated former PN. Added general tolerance. | JL | 2020-11-03 |
| 4-2024 | Updated weight from 10 to 8.41g. | SK | 2024-02-23 |

Warranty: For a period of one (1) year from date of shipping under normal operations conditions. This warranty does not apply to products damaged through misuse, abuse, improper installation, alteration, rework, or attempt to repair.

The information contained herein is believed to be correct, but no guarantee or warranty, express or implied, with respect to accuracy, completeness or results is extended and no liability is assumed. Challenge Electronics reserves the right to make changes in any specification, data or material contained herein.